

## Data sheet

### Blue Cable Mount Male 2P+E Straight Industrial Power Plug Rated At 32A

RS Stock No. [724-9097](#)



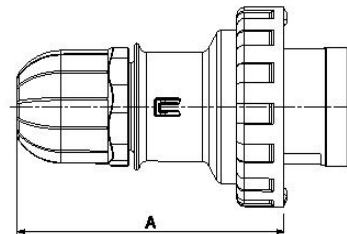
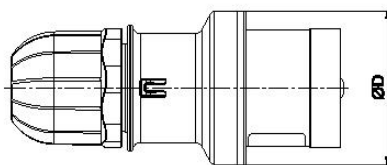
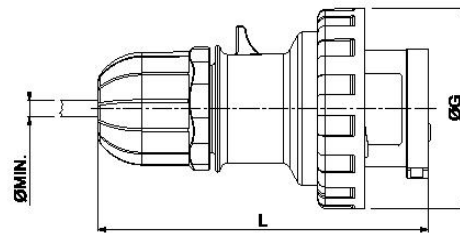
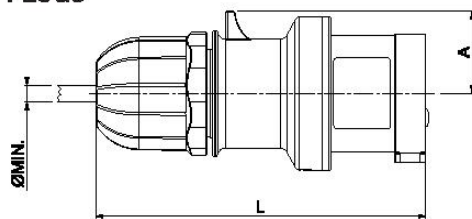
these cable mounting free plugs are for use in industrial applications. The outer casing of these straight plugs is made from engineering plastic and has a cable gland design to provide external clamping. These robust industrial plugs conform to the latest requirements of British and European standards.

#### Features and Benefits

- Cable gland design provides external clamping
- IP44 rating
- Screw terminals accept conductors up to 2.5mm<sup>2</sup> for 16A and 6mm<sup>2</sup> for 32A types
- Halogen free

Current Rating	32A
Pole Format	2P+E
Plug/Socket	Plug
Voltage Rating	200 → 250 V
Mounting Type	Cable Mount
Colour	Blue
IP Rating	IP44
Gender	Male
Body Orientation	Straight
Cable CSA	6mm <sup>2</sup>
Termination Method	Screw Down

**PLUGS**

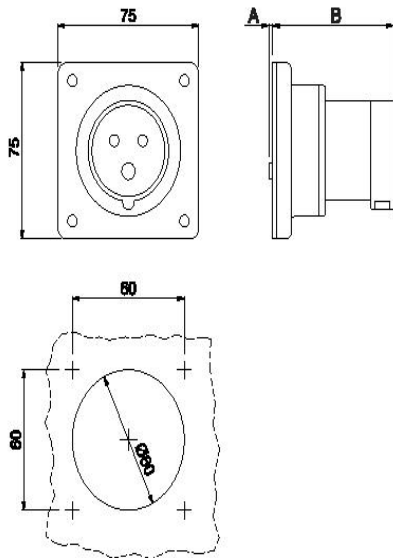


IP44		A	Ø D	L Min	Ø Min
	2P+E	30	56	128	6
16A	3P+E	34	60	135	6
	3P+N+E	38	65	153	9
	2P+E	40	65	162	9
32A	3P+E	40	65	162	9
	3P+N+E	45	73	176	13

IP66/IP67		A	Ø G	L Min	Ø Min
	2P+E	103	73	128	6
16A	3P+E	110	81	135	6
	3P+N+E	129	88	153	9
	2P+E	131	93	162	9
32A	3P+E	131	93	162	9
	3P+N+E	145	101	176	13
63A		160	112	220	17
125A		202	128	272	26

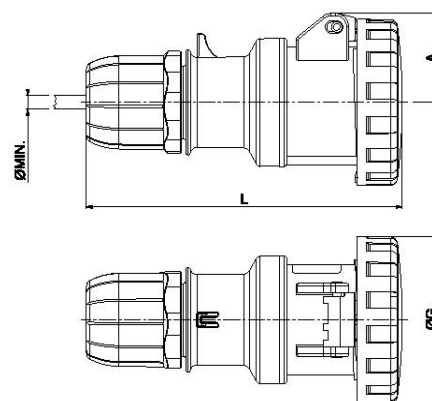
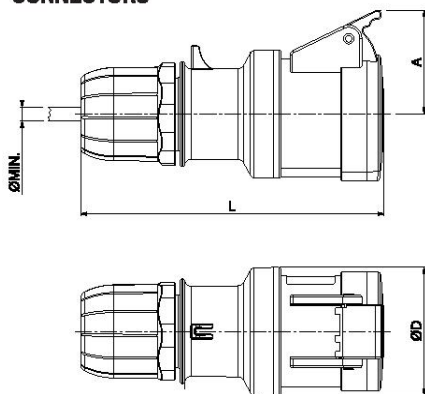
## APPLIANCE INLETS - IP44

ENGLISH



IP44	A	B
2P+E	2	65
16A 3P+E	2	65
3P+N+E	2	65
32A 2P+E	19	73
3P+E	19	73
3P+N+E	19	73

### CONNECTORS



IP44	A	Ø D	L Min	Ø Min
2P+E	46	56	138	6
16A 3P+E	49	60	146	6
3P+N+E	54	65	165	9
2P+E	54	65	175	9
32A 3P+E	54	65	175	9
3P+N+E	59	73	190	13

IP66/IP67	A	Ø G	L Min	Ø Min
2P+E	39	73	141	6
16A 3P+E	43	81	148	6
3P+N+E	51	88	168	9
2P+E	56	93	178	9
32A 3P+E	58	93	178	9
3P+N+E	52	101	195	13
63A	57,5	112	230	17
125A	64,25	128	288	26

