



ENGLISH

Datasheet

RS Pro LED Adjustable Arm Machine Light

RS Stock No: 743-965

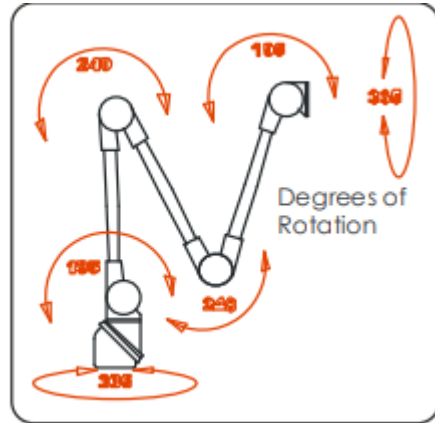
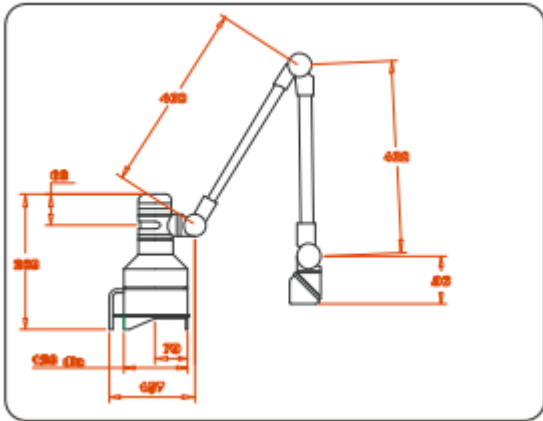
Features

This RS Pro general purpose –designed robust durable industrial task light, provides a long trouble free life in demanding conditions.

Features:

- High quality friction arm joints, move easily, yet retain position, tested to over 30,000 movements
- Vibration resistant mountings, arms and lamp holders for demanding operating conditions
- Versatile and flexible positioning, relative to subject, based on variety of arm length combinations
- Shade is design maximises the light output from lamp
- Moulded visor, incorporating a handle for ease of adjustment
- Cable is totally enclosed within the unit
- Metal parts are coated in tough chip resistant epoxy polyester powder paint
- Switch is located on head for ease of use
- Head is moulded from strong shock resistant thermoplastic material which acts as an electrical insulator
- Moulded transformer housing on 230/240ac model





Primary Voltage with transformer:	230/240v ac
Primary Voltage no transformer:	12v or 24v ac
Transformer Type:	Electronic High frequency
Lamp Type:	Halogen (12v & 240v = Dichroic) (24v = Capsule)
Max Wattage:	50w
Lamp Base:	12v & 240v = GU5.3 – 24v = GY6.35
Switch Fitted:	Yes on head
IP Rating:	IP 64
Base Type:	Universal Base – can be horizontal or vertical mounted
Arms:	2 400mm + 400mm
Shade:	127mm spun aluminium
Shield Fitted:	Yes (clear polycarbonate)
Visor:	Moulded Visor complete with handle
Trailing Cable:	Not fitted (available as accessory c/w 20mm cable gland)
Manufacturing Standard:	BS EN 60598
RHOS Compliant:	Yes
WEE Compliant:	Yes
Finish & Colour:	Powder coated Gunmetal Grey