

Datasheet

RS Lighting Controller Detector, PIR/Daylight, Ceiling Mount, 220 → 240 V ac, 28mm Diameter Stock Number: 279-8591



The EBMPiR series of miniature PIR (passive infrared) presence detectors provide automatic control of lighting loads with optional manual control. Three models are available: premium, direct dim, and analogue dim all of which will switch incandescent, fluorescent and compact fluorescent lighting. The direct dim variant controls DALI or DSI digital dimming ballasts whilst the analogue dim variant controls 1-10V dimming ballasts. The unit detects movement using a PIR sensor and turns the load on. When an area is no longer occupied the load will switch off after an adjustable time out period. These units come complete with clips allowing unobtrusive flush mounting into ceiling tiles or solid ceilings. All functionality is fully programmable using an IR handset.

PIR Sensor

Detects movement within the unit's detection range, allowing load control in response to changes in occupancy.

IR Receiver

Receives control and programming commands from an IR (infrared) handset.

Light Level Sensor

Measures the overall light level in the detection area

Status LEDs

The LED flashes Red to indicate the following:

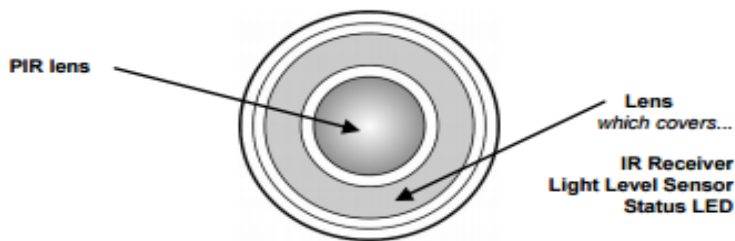
RJ11 connector

The sensor head has a flying lead with a RJ11 plug at the end plugs into the RJ11 socket on the power supply.

Power supply

This power supply has a 6A relay. It also has connections for an external switch that can be used to turn on the load when absence detection mode has been set or raised / lowered with dimming variants.

Sensor head

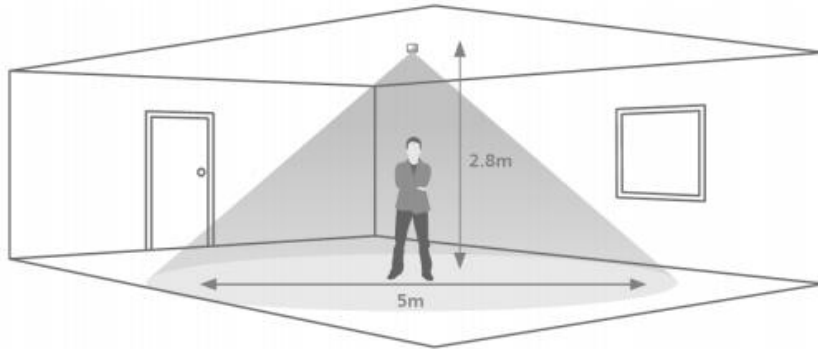


Standard power supply



Dimming version shown

Detection diagram



Area of high sensitivity Area of lower sensitivity

Detection mode

- Presence When movement is detected the load will automatically turn on. When the area is no longer occupied the load will automatically switch off after an adjustable time period.
- Absence The load is manually switched on. When the area is no longer occupied the load will automatically switch off after the adjustable time period has elapsed.

Switch operation:

PRM single switch: short press turn on, long press turn off.

EBMPIR-DD & EBMPIR-AD single switch: short press turn on, short press turn off, press and hold cycles dimming.

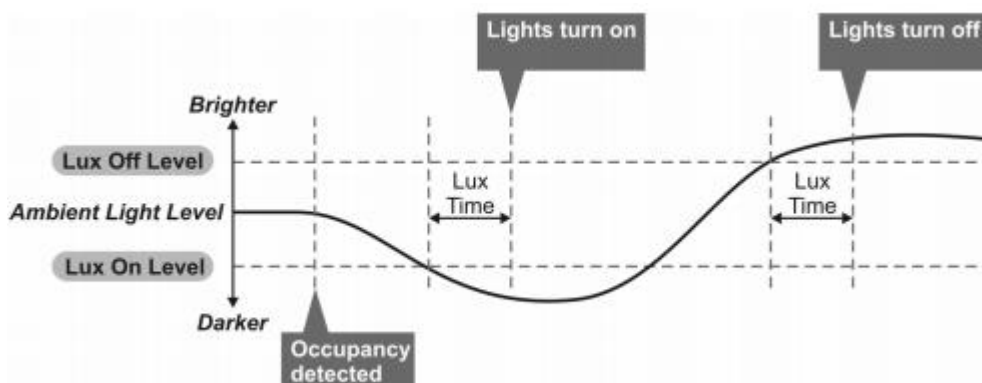
EBMPIR-DD & EBMPIR-AD two way switch: up button short press turns on, press and hold to dims up. Down button short press turns off, press and hold dims down.

In either case, sensitivity to movement of the PIR sensor can be adjusted using the Sensitivity parameter.

HINT: To assist in setting the Sensitivity, turn on the Walk Test LED which will flash red when movement is detected.

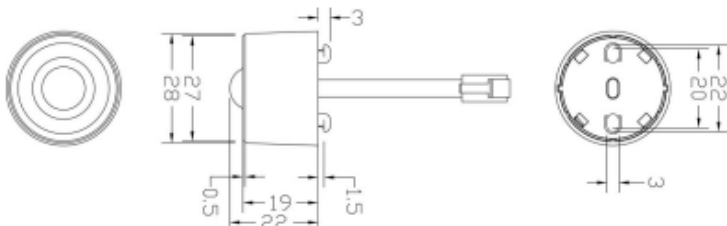
Switch Level On/Off

Occupancy detection can be made dependant on the ambient light level using the Lux On Level and Lux Off Level parameters.

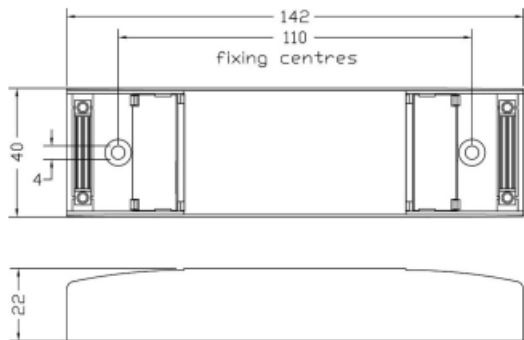


Dimensions

Sensor head

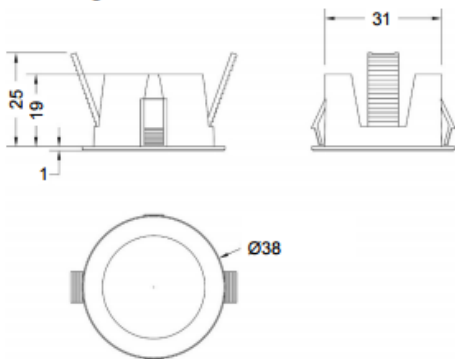


Power supplies



Brackets

Flush ring



Head end cap

