

ELED-40-T Series

40W Triac Dimmable Driver

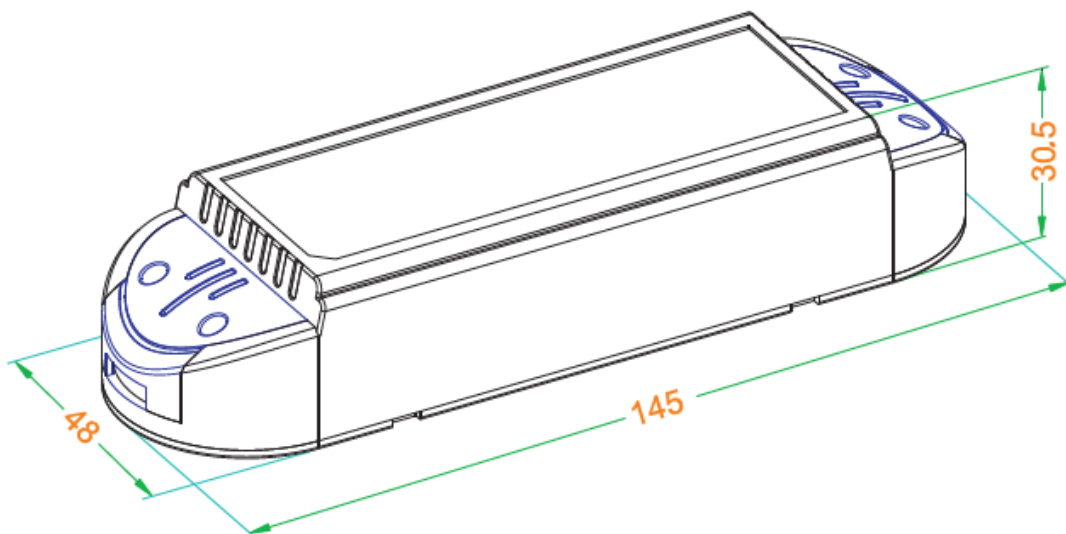


Features:

- Triac dimmable
- Suitable for leading/ trailing edge dimming
- Constant current and constant voltage design
- Protections: Short circuit/ Overload/ Over voltage
- Built-in PFC function (PFC>0.95)
- Cooling by free air convection
- Up to 82% efficiency
- Fully isolated, delivering up to 40W of power



Model No.	ELED-40-350T	ELED-40-700T	ELED-40-12T	ELED-40-24T
Input Voltage Range	220-240VAC			
AC Frequency	50-60Hz			
Output Mode	Constant Current		Constant Voltage	
Output Current	350mA	700mA	0-2.6A	0-1.3A
Output Voltage	60-104V	32-52V	12V	24V
Output Power	40W Max			
Power Factor	>0.95			
Efficiency	>82%			
Operating Temperature	-30°C+45°C			
Relative Humidity	5-95%			
Isolation Voltage	In/ Out 3000VAC			
Vibration	5-55Hz/ 2g, 30minutes			
EMI	EN55015 Class B			
Safety	EN61347-1, EN61347-2-13			
Electromagnetic Immunity	EN61547, EN55024, EN61000-4-2, 3, 4, 6, 8, 11			
Harmonic Current Emissions	EN61000-3-2, EN61000-3-3			
Dimensions (mm)	145x 48x 30.5			



Wiring Schematic

