

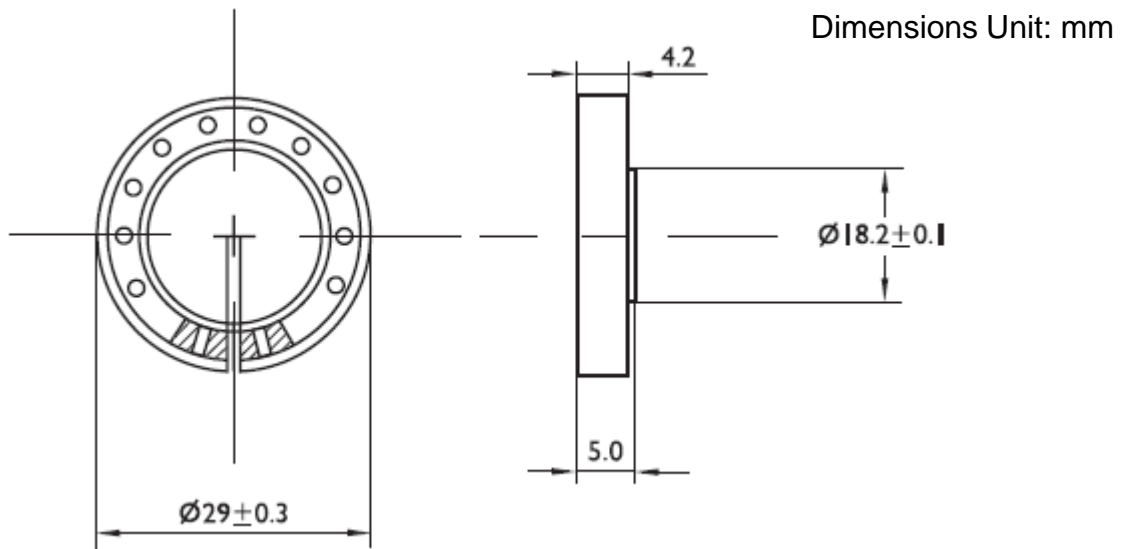
Datasheet

Stock No: 756-4598

**RS Pro 8Ω 0.25W Miniature Speaker 29mm Dia. 29 x 5mm
(LxWxD)**



Rated impedance	8±15%Ω
Nominal power	0.25W
Maximum power	0.5W
Resonant frequency	700±25%Hz
Frequency range	F 0-3,000Hz
Sound pressure level at 0.1W/0.1m	90±3dB
Operating temperature	-20~+60°C
Storage temperature	-30~+70°C
Weight	5g±5%



Features

- ROHS compliant
- Small, low profile
- Cone material: Mylar
- Broad frequency range
- Housing material: ABS

