



# External power supplies



AC/DC Single Output Desk top Type

90 Watts.

EA1096B(09)



## Features

- ErP level V
- Energy saving ultra slim design
- RoHS compliance
- IEC320 C8
- Over voltage protection latching
- Overcurrent protection auto recovery
- MTBF: 30,000 hours

## Electrical Specifications

RS STOCK NO.	MODEL OUTPUT	VOLTAGE (Vo)	MAX. LOAD (Lo)	POWER (Watts)	LOAD REGULATION	LINE REGULATION	RIPPLE & NOISE
731-6122	EA1096B(09)	24V	3.75A	90W	+/- 5%	+/- 1%	1.3%

NOTE:  
 1: Ripple & noise is measured by using 20MHz bandwidth limited oscilloscope and terminated each output with a 0.1uf ceramic capacitor & parallel with 47uF aluminum capacitor at full load and nominal line.  
 2: Line regulation is defined by changing  $\pm 10\%$  of input voltage from nominal line at rated load.  
 3: Max. Output Power (W)  $\geq V_o \times I_o$

## Electrical Specifications

## Mechanical Specification

### INPUT

- Input Range 100 to 240 VAC
- Frequency 47 to 63Hz
- Input Current 0.5A at 230VAC
- Inrush Current 90A at 230VAC
- Efficiency 87% Typ.
- Hold Up Time  $\geq 10\text{ms}$
- Turn On Time  $\leq 3\text{s}$

### OUTPUT

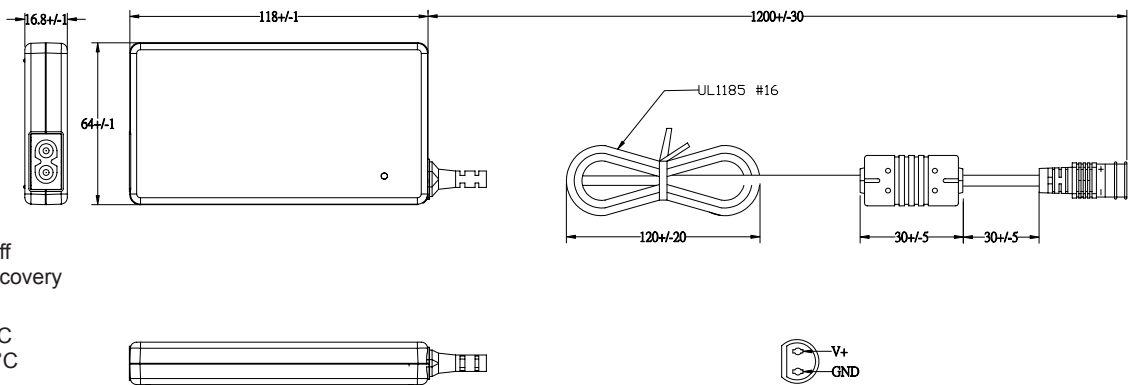
- Over Voltage Protection Latch off
- Short Circuit Protection Auto Recovery

### ENVIRONMENTAL

- Operating Temperature 0 to 40°C
- Storage Temperature -20 to 85 °C
- Storage Humidity 5 % to 90%

### SAFETY

- cTUVus, TUV/GS, CE



- Case Size: 118Lx64Wx16.8H (mm)
- AC Inlet: C8
- Weight: 450g

4.75 / 1.75 / 11.00mm

5.5 / 2.1 / 10.50mm

5.5 / 2.5 / 12.5mm

6.3 / 3.0 / 12.00mm

