



External power supplies



AC/DC Single Output Desk top Type

65~75 Watts Max.

EA1072 Series



Features

- ErP level V
- Energy saving compact design
- RoHS compliance
- IEC320 C8
- Over voltage and over current protection
- MTBF: >30,000 hours

Electrical Specifications

RS STOCK NO.	MODEL OUTPUT	VOLTAGE (Vo)	MAX. LOAD (Io)	POWER (Watts)	LOAD REGULATION	LINE REGULATION	RIPPLE & NOISE
731-6093	EA10722(M12)	18V	4.16A	75W	+/- 5%	+/- 1%	2%
731-6096	EA10722(M13)	24V	3.125A	75W	+/- 5%	+/- 1%	2%

- NOTE:
- 1: Ripple & noise is measured by using 20MHz bandwidth limited oscilloscope and terminated each output with a 0.1uF ceramic capacitor & parallel with 47uF aluminum capacitor at full load and nominal line.
 - 2: Line regulation is defined by changing $\pm 10\%$ of input voltage from nominal line at rated load.
 - 3: Max. Output Power (W) $\geq V_o \times I_o$

Electrical Specifications

Mechanical Specification

INPUT

- Input Range 100 to 240 VAC
- Frequency 50 to 60Hz
- Input Current 1.25A at 230VAC
- Inrush Current 100A at 230VAC
- Efficiency 87% Typ.
- Hold Up Time $\geq 8.3\text{ms}$
- Turn On Time $\leq 3\text{s}$

OUTPUT

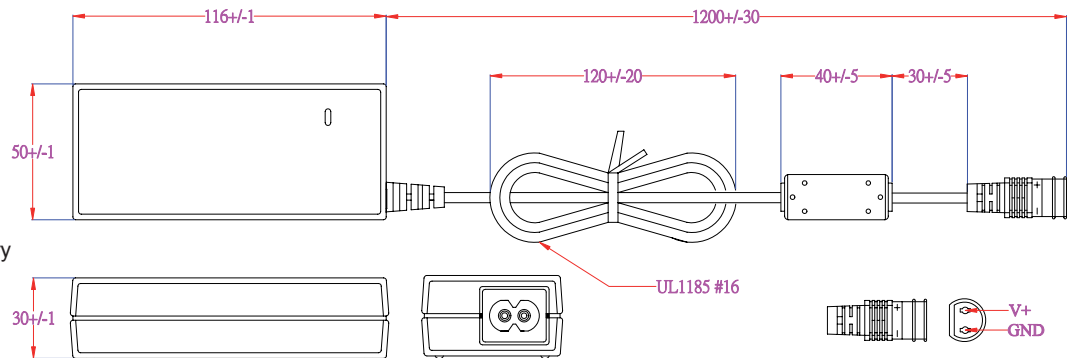
- Over Voltage Protection Latch off
- Short Circuit Protection Auto Recovery

ENVIRONMENTAL

- Operating Temperature 0 to 40°C
- Storage Temperature -20 to 85 °C
- Storage Humidity 5 % to 95%

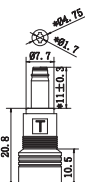
SAFETY

- UL60950, EN60950, IEC60950, CE

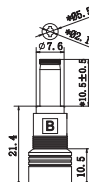


- Case Size: 116Lx50Wx30H (mm)
- AC Inlet: C8
- Weight: 290g

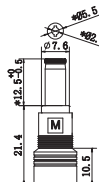
4.75 / 1.75 / 11.00mm



5.5 / 2.1 / 10.50mm



5.5 / 2.5 / 12.5mm



6.3 / 3.0 / 12.00mm

