



# External power supplies



## AC/DC Single Output Desk top Type

30~36 Watts Max.

ENGLISH

### EA1030R Series



#### Features

- ErP level V
- CEC compliance
- RoHS compliance
- Interchangeable AC plug
- Over voltage and over current protection
- Protection type: Auto recovery
- MTBF: >30,000-50,000 hours

#### Electrical Specifications

| RS STOCK NO. | MODEL OUTPUT  | VOLTAGE (Vo) | MAX. LOAD (Lo) | POWER (Watts) | LOAD REGULATION | LINE REGULATION | RIPPLE & NOISE |
|--------------|---------------|--------------|----------------|---------------|-----------------|-----------------|----------------|
| 731-6056     | EA1030R(M02)  | 12V          | 2.5A           | 30W           | +/- 5%          | +/- 1%          | 1.3%           |
| 731-6052     | EA1030DR(M02) | 24V          | 1.25A          | 30W           | +/- 5%          | +/- 1%          | 1%             |
| 731-6068     | EA1036R(M03)  | 12V          | 3A             | 36W           | +/- 5%          | +/- 1%          | 1.3%           |
| 731-6065     | EA1036DR(M01) | 24V          | 1.5A           | 36W           | +/- 5%          | +/- 1%          | 1%             |

NOTE:  
 1: Ripple & noise is measured by using 20MHz bandwidth limited oscilloscope and terminated each output with a 0.1uf ceramic capacitor & parallel with 47uF aluminum capacitor at full load and nominal line.  
 2: Line regulation is defined by changing  $\pm 10\%$  of input voltage from nominal line at rated load.  
 3: Max. Output Power (W)  $\geq V_o \times I_o$

#### Electrical Specifications

#### Mechanical Specification

##### INPUT

- Input Range 90 to 264 VAC
- Frequency 50 to 60Hz
- Input Current 0.5A at 230VAC
- Inrush Current 60A at 230VAC
- Efficiency 84% Typ.
- Hold Up Time  $\geq 8.3\text{ms}$
- Turn On Time  $\leq 3\text{s}$

##### OUTPUT

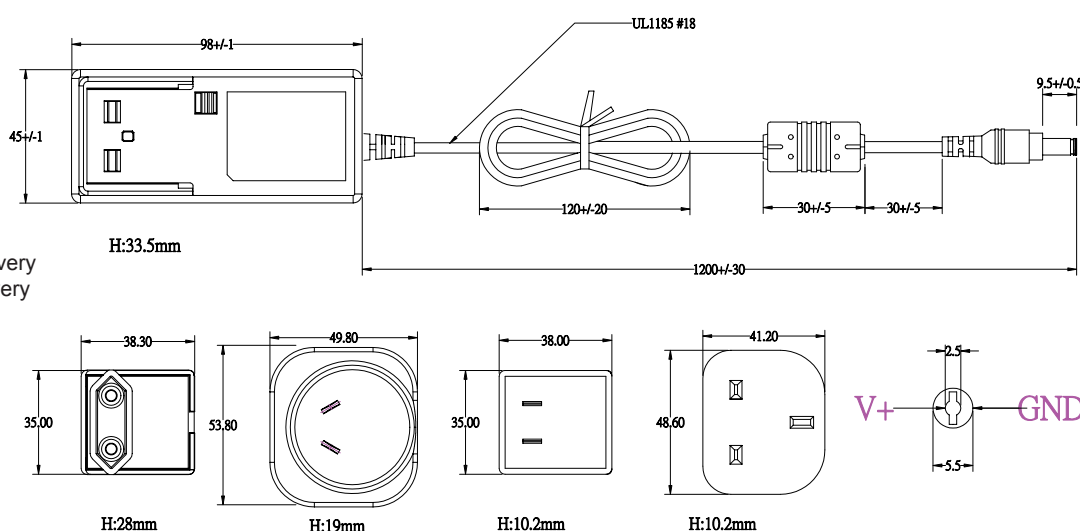
- Over Voltage Protection Auto Recovery
- Short Circuit Protection Auto Recovery

##### ENVIRONMENTAL

- Operating Temperature 0 to 40°C
- Storage Temperature -20 to 85 °C
- Storage Humidity 5 % to 95%

##### SAFETY

- UL60950-1, EN60950-1, CE



- Case Size: 98Lx45Wx33.5H (mm)
- AC Inlet: Interchangeable
- Weight: 220g