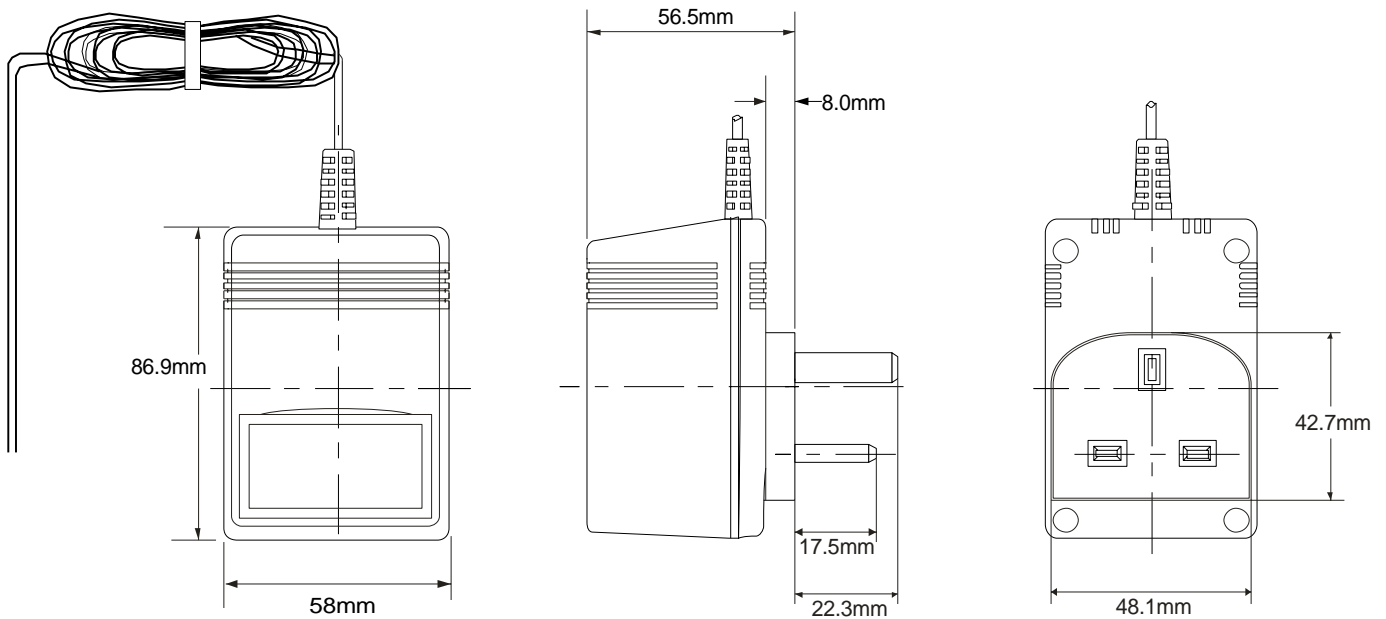


Data sheet

AC/AC linear adaptors

UK 20VA

RS Stock No. 7300237
 RS Stock No. 7300240
 RS Stock No. 7300247



Specification:

Input: 230V, 50Hz
 Maximum no load primary current: 60mA

Hi-pot, primary to secondary: 3.3kV rms for 3 seconds
 Insulation breakdown, primary to secondary @ 500VDC: 7M ohms
 Primary circuit protected by 125°C, 1A single shot thermal fuse
 PSU housing colour: BLACK
 Cable length: 1800mm +/-150mm
 Cable colour: BLACK

Tolerance on dimensions: +/- 0.5mm unless stated otherwise

Part number	Open circuit voltage (VAC)	Full load voltage (VAC)	Current (mA)
AD4830-12-1600UK	15.5	12	1600
AD4830-18-1000UK	22.7	18	1000
AD4830-24-0800UK	30.7	24	800