

# Datasheet

667-3944

Description: Metric Outside Micrometer

Specification: 25-50mm

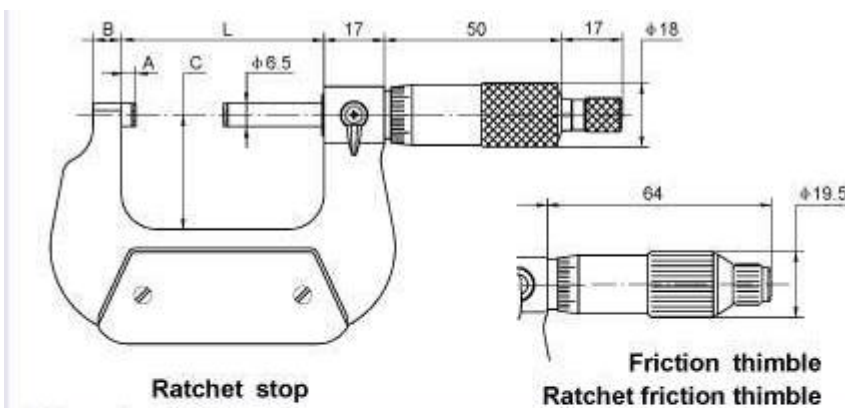
Resolution: 0.01mm

Accuracy: 0.004mm



**Feature:**

- Carbide measuring faces.
- Painted frame.



**Dimensions**

Range		A	B	C	L
Metric	Inch				
0-25mm	0-1"	3.0mm	6mm	24mm	32mm
25-50mm	1-2"	3.0mm	8mm	32mm	57mm
50-75mm	2-3"	3.0mm	8mm	45mm	82mm
75-100mm	3-4"	3.0mm	8mm	57mm	107mm
100-125mm	4-5"	3.0mm	8mm	70mm	133mm
125-150mm	5-6"	3.0mm	8mm	82mm	158mm
150-175mm	6-7"	5.5mm	8mm	95mm	183mm
175-200mm	7-8"	5.5mm	8mm	107mm	209mm