

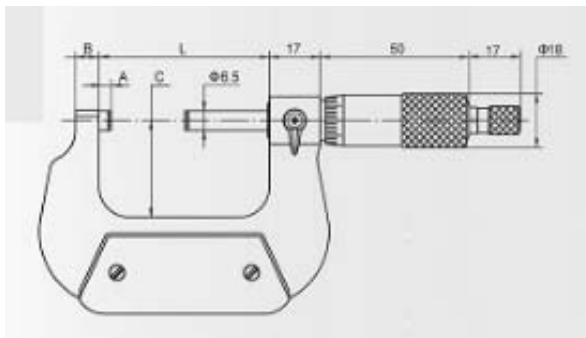
705-1266

Description: Outside Micrometer Set

Specification: 0-6"

Feature:

- Carbide measuring faces.
- Blue painted frame.
- Resolution: 0.0001"



Outside Micrometer 0-1"	Accuracy: 0.004mm	A: 3.0mm	B: 6mm	C: 24mm	D: 32mm
Outside Micrometer 1-2"	Accuracy: 0.004mm	A: 3.0mm	B: 8mm	C: 32mm	D: 57mm
Outside Micrometer 2-3"	Accuracy: 0.004mm	A: 3.0mm	B: 8mm	C: 45mm	D: 82mm
Outside Micrometer 3-4"	Accuracy: 0.005mm	A: 3.0mm	B: 8mm	C: 57mm	D: 107mm
Outside 4-5" Micrometer	Accuracy: 0.006mm	A: 30mm	B: 6mm	C: 70mm	D: 133mm
Outside Micrometer 5-6"	Accuracy: 0.006mm	A: 3.0mm	B: 6mm	C: 82mm	D: 158mm

Feature:

- Carbide measuring faces.
- Blue painted frame.
- Resolution: 0.0001"