

# LED Decorative Replacement Lamps



- 5/6 watts
- 15K-25K hours
- 64/75 lm/w
- 315/450 lumens

## features

- Direct replacement for incandescent globe and bullet lamps
- 15,000-25,000 hour rated life for ENERGY STAR® Approved lamps\*
- 50,000 hour design life\*\*
- Ideal for wall sconces and ceiling fans
- Available in 2700K, 3000K and 4000K
- Lasts 30x longer than incandescent
- Instant-On with no warm up, unlike CFLs
- 80+ CRI, 120VAC
- Not for use in enclosed fixtures
- Not for use with electronic timers, photocells, or motion/occupancy sensors



## performance

- 6W G25 replaces 50W globe incandescent
- 5W B11 replaces 40W bullet incandescent
- High power LED efficiency
- 15,000-25,000 hour rated life\*
- 80+ CRI
- 120V @ 60Hz

## applications

- Chandeliers
- Accent/display lighting
- Sconces
- Lanterns
- Hospitality
- Residential
- Vanity mirrors

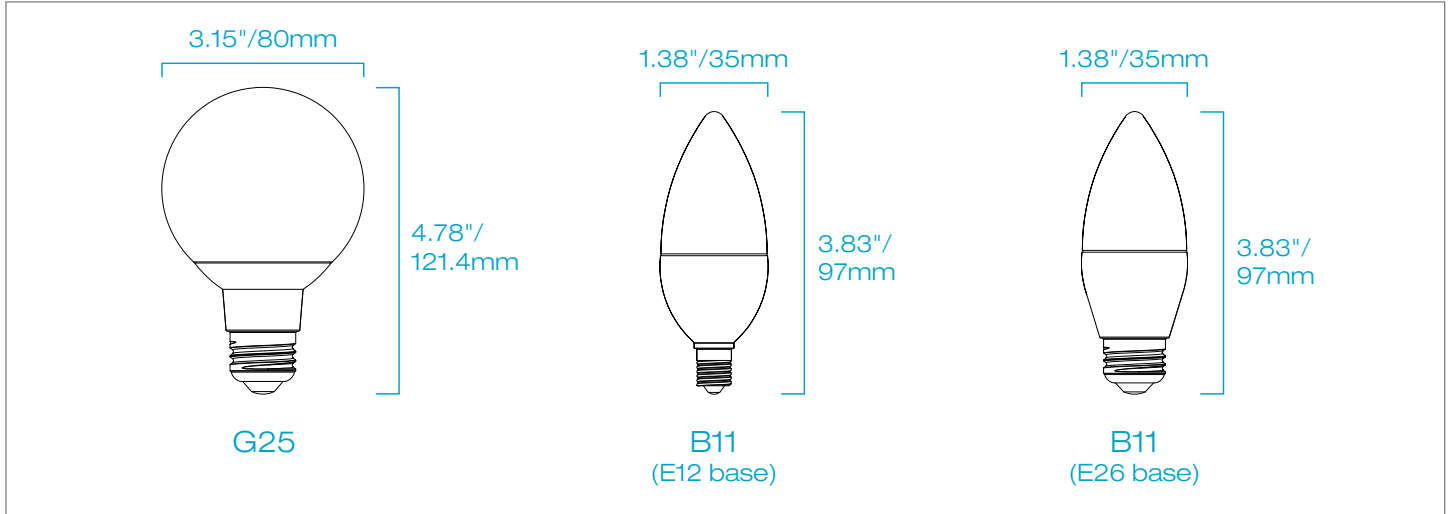
\* Early initial qualification for ENERGY STAR allows for directional lamp life claims of 25,000 hours (L70) with 3,000 hour actual test data, LM80 data and in-situ temperature measurements. As the lamps pass ENERGY STAR requirements, manufacturers may increase the lifetime of a product as dictated by ENERGY STAR guidelines. See [http://www.energystar.gov/index.cfm?fuseaction=products\\_for\\_partners.showLightbulbs](http://www.energystar.gov/index.cfm?fuseaction=products_for_partners.showLightbulbs) for further details.

\*\* Design life is based on engineering testing and probability analysis




# LED Decorative Replacement Lamps

## dimensions



## ordering information

Order Code	Litespan Part #	Watts	Volts	Lumens	CCT	CRI	MOL	Life Hours*	Replaces Incandescent	
<b>G25</b>										
90038	LED6WG25/827K-DIM-G4	6W	120V	450	2700K	80+	4.78"	15,000	50W G25	★
90037	LED6WG25/830K-DIM-G4	6W	120V	450	3000K	80+	4.78"	25,000	50W G25	★
90036	LED6WG25/840K-DIM-G4	6W	120V	450	4000K	80+	4.78"	25,000	50W G25	★
<b>B11 E12</b>										
08425	LED4.9WB11/E12/827-DIM†	4.9W	120V	315	2,700	80+	4.06"	40,000	40W B11	★
08426	LED4.9WB11/E12/830-DIM†	4.9W	120V	315	3000	80+	4.06"	40,000	40W B11	★
08729	LED5WB11/E12/827-DIM-G5	5W	120V	325	2700K	80+	3.83"	15,000	40W B11	★
08730	LED5WB11/E12/830-DIM-G5	5W	120V	325	3000K	80+	3.83"	15,000	40W B11	★
<b>B11 E26</b>										
08731	LED5WB11/E26/827-DIM-G5	5W	120V	325	2700K	80+	3.70"	15,000	40W B11	★
08732	LED5WB11/E26/830-DIM-G5	5W	120V	325	3000K	80+	3.70"	15,000	40W B11	★
08428	LED4.9WB11/E26/830-DIM**	4.9W	120V	315	3000K	80+	4.06"	25,000	40W B11	★

\*\*While supplies last

†Canada only

\* 15,000-40,000 hour ENERGY STAR® rated life. 50,000 hour design life. See note on obverse.

★ENERGY STAR® Approved

watch > like > follow



selection. solutions. simplicity. [eiko.com](http://eiko.com)

23220 W. 84<sup>th</sup> St, Shawnee, KS 66227 · (P) 1.800.852.2217 (F) 1.800.492.8975  
Canada: 81 King St, Barrie, ON L4N 6B5 · (P) 1.888.410.8151 (F) 1.888.705.1335

