

WPC - LED Wallpack, Cube



project name	type
catalog number	
comments	voltage
approved by	date

14
watts

770
lumens

57
lpw

120V
photocontrol
included

features

- Economical and energy efficient LED solution for general purpose wall mount lighting
- Durable die cast aluminum housing with vandal-resistant polycarbonate prismatic reflector
- UV stabilized TGIC carbon bronze powder coat finish
- Fully sealed and gasketed, wet location rated
- Enclosure and hardware are corrosion resistant
- 120V dusk-to-dawn button type photocontrol included (standard)
- 5 year limited warranty

performance

- 770 lumens @ 14W: 57 lpw
- Consumes 1/5 the energy and lasts 3x longer than comparable HID
- Chip on board LED
- 5000K +/- 250K
- Typical 70 CRI
- 120V @ 60Hz
- UL/cUL listed for wet locations

applications

- Residential Exteriors
- Entrances
- Storage Facilities
- Convenience Stores
- Recreational Areas
- Housing Complexes
- Security

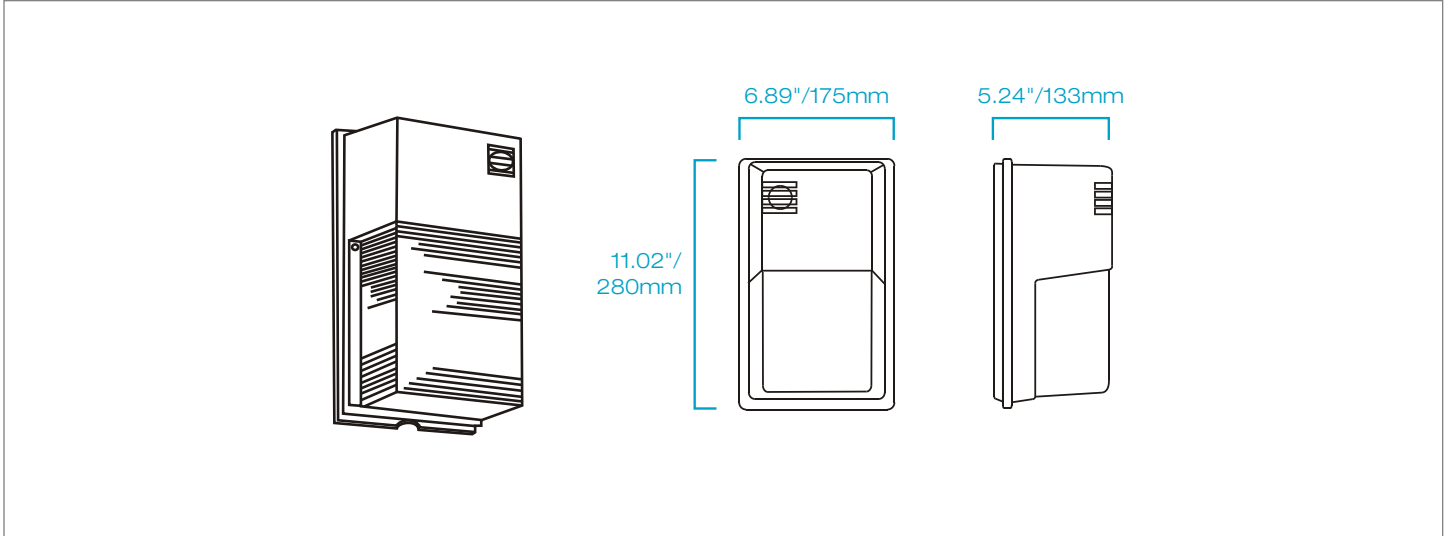
ordering information

Order Code	Litespan Part #	Series	Configuration	CCT	Finish	Voltage
08873	WPC-1C-120	WPC - Wallpack, Cube w/ 120V Button Type Photocontrol	1C - 14W/770LM	(Omit) 5000K Standard	(Omit) Bronze Standard	120 - 120V



WPC - LED Wallpack, Cube

dimensions



watch > like > follow



selection. solutions. simplicity. eiko.com

23220 W. 84th St, Shawnee, KS 66227 · (P) 1.800.852.2217 (F) 1.800.492.8975
Canada: 81 King St, Barrie, ON L4N 6B5 · (P) 1.888.410.8151 (F) 1.888.705.1335

