

WPT - LED Wallpack, Trapezoid



project name	type
catalog number	
comments	voltage
approved by	date

37/75
watts

2900/
6400
lumens

78
lpw

5000K
CCT

features

- Die-cast aluminum body
- Full cutoff optics prevents neighborhood light trespass; item is night sky friendly
- Heat and impact resistant tempered glass
- 5000K color temperature
- IC protection
- UL and CUL listed for wet locations

performance

- Latest generation of LED chips delivers a similar light output to a 175, 250, or 400W metal halide using only 1/3 the energy consumption
- Die cast aluminum housing with powder-coated finish
- +70 CRI
- Universal 120~277V
- UL & CUL listed for wet locations

applications

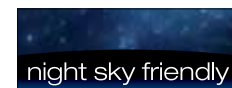
- Industrial Parks
- Loading Docks
- Utility Sheds
- Entryways
- Walkways
- Storage Areas
- Security

ordering information

Order Code	Litespan Part #	Configuration	Finish	Voltage	Example	HID Equivalent
08595	WPT - Wallpack, Trapezoid	1C - 5000K (37W / 2900 LM)	(Omit) Bronze <i>Standard</i>	U - 120-277V	WPT-1C-U	1C - 175-250W HID
08596		2C - 5000K (75W / 6400 LM)			WPT-2C-U	2C - 250-400W HID

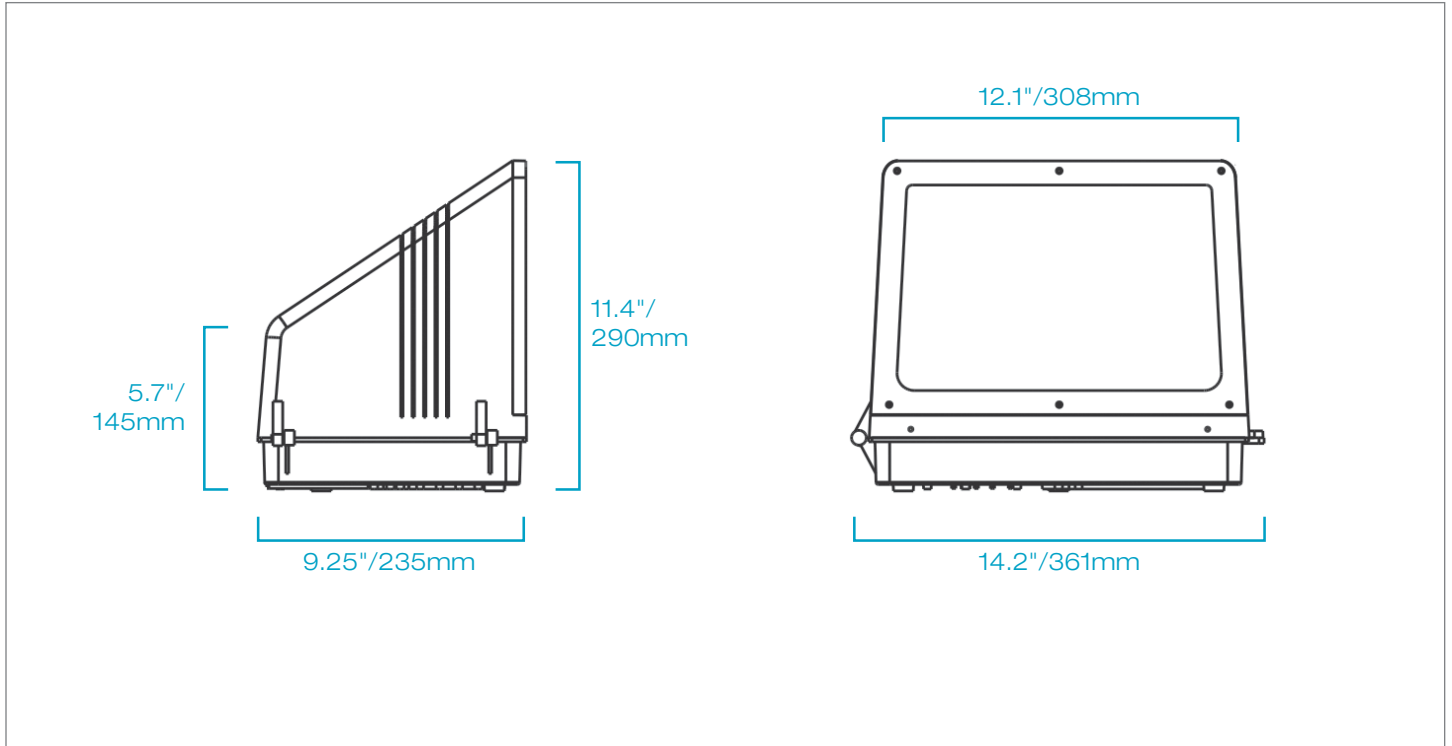
accessories (sold separately)

Order Code	Litespan Part #	Description
08738	PCB1	Photocontrol, Button Type 120V
08739	PCB2	Photocontrol, Button Type 277V
08865	LP1040-36-C0900	Replacement Driver for WPT-1C-U or WPT-2C-U (WPT-2C-U requires two drivers)
08746	WP-347T	Wallpack Step Down Transformer - 347V



WPT - LED Wallpack, Trapezoid

dimensions



watch > like > follow



selection. solutions. simplicity. eiko.com

23220 W. 84th St, Shawnee, KS 66227 · (P) 1.800.852.2217 (F) 1.800.492.8975
Canada: 81 King St, Barrie, ON L4N 6B5 · (P) 1.888.410.8151 (F) 1.888.705.1335

Trapezoid LED			
Ordering Code	Watts	Volts	Lumens
WPT-1C-U	37	120~277 VAC	2900
WPT-2C-U	75	120~277 VAC	6400

NOTES: