

# DEVICE SPECIFICATION FOR PYRO-ELECTRIC IR-DETECTOR

Customer :  
Type : PYQ 1348  
Part no. : 3591  
No. of samples:

Four element detector, serial opposed format, on ceramic base.

This specification is provided by

**Excelitas Technologies GmbH & Co. KG, Wiesbaden.**

It covers the complete technical data of a pyro-electric IR detector. In case of samples attached to this paper, these have been taken randomly from normal production output. All detectors have met the requirements of Excelitas test-specifications and passed outgoing inspection.

**We kindly ask for approval with the return of a signed copy.**

Checked:

Date: 16.01.2013

Customer approval:

Date:

**Electrical Configuration:**

Two pairs of sensing elements are connected to built-in FET in source follower circuit, connections "Drain-Source-Ground". It is recommended to use a load resistor of 47 kΩ.

**Electrical data:**

Unless specified differently, all data refer to 25°C and  $V_{DD}= 11\text{ V}$ :

**Responsivity:**            **min.: 8.4 kV/W**                            **typ.: 10.2 kV/W**

Responsivity is measured within spectral range 7 - 14 μm as per fig. 3 at 1Hz.

**Match:**                            **max.: 15 %**

Electrical balance (match) is measured with same test set up as responsivity, all elements exposed to radiation. A percent value is calculated as

$$\frac{100 \times s_m}{s}$$

$s_m$  : signal (match)

$s$  : signal of one element.

**Noise:**                            **max.: 150 μV<sub>pp</sub>**            **typ.: 60 μV<sub>pp</sub>**

After a 10 minute settling time, noise is monitored for the duration of 1500 sec. at a temperature of 25°C, shut from infrared energy, electrical bandwidth of 0.4 to 10Hz.

**Operating voltage:**             $V_{DD}= 2-12\text{ V}$

**Source voltage:**                     $V_S= 0.2-1.55\text{ V}$

**Drain-source voltage:**             $V_{DS}= \text{min } 0.5\text{ V}$

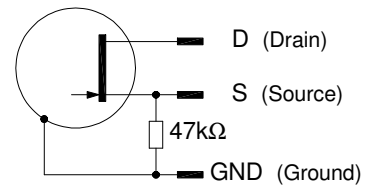


Fig. 1: Test circuit

**Typical Responsivity vs. Frequency**

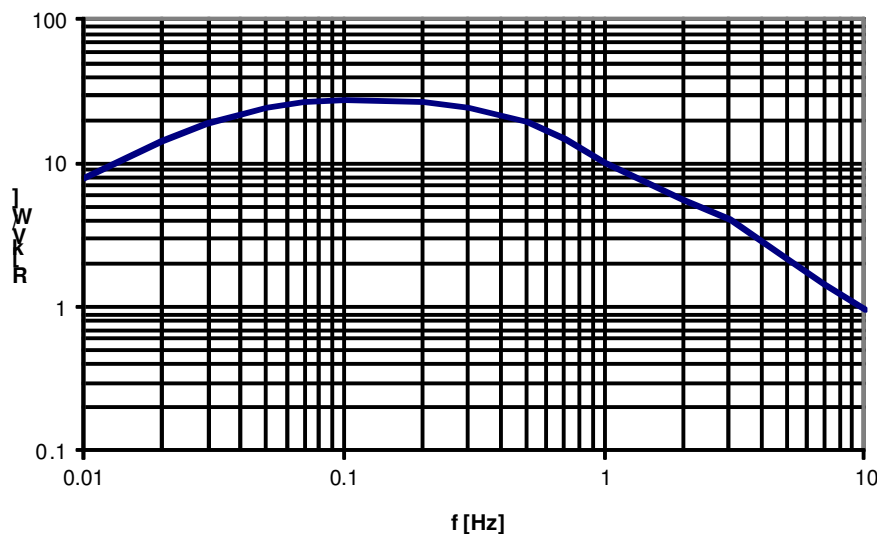


Fig. 2: Frequency response

**Sample data**

The samples attached to this specification have been tested. Test equipment as per fig. 3 and fig.4.

Tab.1: Sample data

Sample no.	R <sub>A</sub> [kV/W]	R <sub>B</sub> [kV/W]	R <sub>C</sub> [kV/W]	R <sub>D</sub> [kV/W]	Match [kV/W]	Offset [V]
1						
2						
3						
4						
5						
6						
7						
8						
9						
10						

**Test Set up**

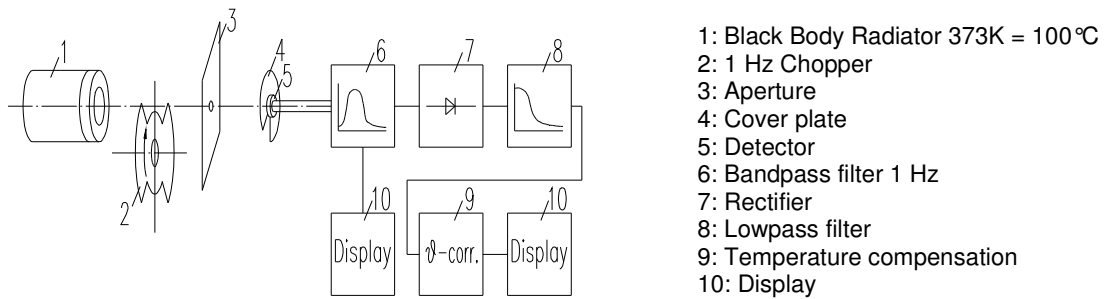


Fig. 3: Test Set – up

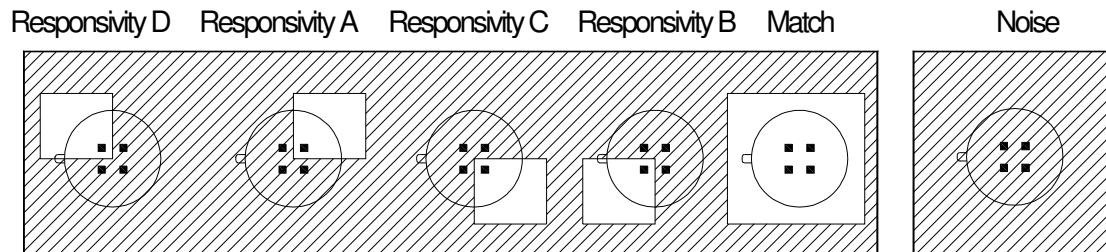


Fig. 4: Responsivity measurement

**Spectral range:**

The spectral range of the detector is determined by the built-in filter (window).

- Substrate:** Silicon, multilayer coated
- Cut – on:** 5.5 ± 0.3 μm
- Transmission:** T > 77% average between 7 μm and 14 μm
- Blocking:** T < 0.1% for λ < 5 μm

### **Physical Configuration:**

- Housing:** TO-5 metal housing with infrared transparent window
- Element size:** 0.8 x 0.8 mm<sup>2</sup>, spacing 0.8 mm, see also drawing: 2/72196
- Connections:** Refer to drawing: 2/72196

### **Field of View**

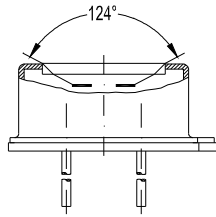


Fig. 5: Field of View

### **Operating temperature:** -40 °C to +85 °C

The electrical parameters may vary from specified values accordance with their temperature dependence.

### **Storage temperature:** -40 °C to +85 °C

Avoid storage under high humid environment.

### **Microphonic noise:** max: 30 $\mu V_{rms}$ /g

**Excelitas** IR-detectors covered herein have passed qualification test for microphonic noise in x-y-z axis, exciting frequencies from 5Hz to 2kHz.

### **Humidity:**

The IR-detector shall not increase noise or decrease responsivity when exposed to 95% R.H. at 30°C. Operation below dew point might affect performance.

### **Hermetic seal:**

This IR-detector is sealed to pass a He-leakage test with maximum leak rate of  $10^{-8}$  mbar.l's<sup>-1</sup>.

### **Quality:**

**Excelitas Technologies** is a **QS 9000** certified manufacturer with established SPC and TQM. Detector out-going inspections include the parameters Responsivity, Match, Offset, Noise, Gross leak (Mil Std 883 method 1014C1). Individual data are not stored, statistical details can be disclosed on request.

### **Handling:**

Handle the detectors as ESD sensitive devices and protect them from electrostatic discharges. Working areas should be conductive and grounded. When handling detectors, operators shall be grounded. Avoid mechanical stress on the housing and especially on the leads. Be careful when cutting or bending leads to avoid damage. Do not bend leads less than 5 mm from their base. Do not drop detectors on the floor.

Avoid touching the detector window. To clean windows, only use ethyl alcohol with a cotton swab when necessary. Do not expose detector to aggressive detergents such as Freon, trichloroethylene, etc.

### **Soldering conditions:**

For the soldering of the detectors within PCBs, the typically applied and recommended process is wave soldering. The soldering temperature should not exceed 285° C with a maximum exposure time of 5 seconds. During the automatic wave solder process we strongly advise to restrict preheating when the detector is directly exposed to the radiation of such heaters. In this case, the detector should be protected from the heat.

Manual soldering is also possible when maintaining similar temperature profiles. Reflow soldering is not possible due to the high temperature profiles of the process.

### **Product Safety & RoHS:**

Modern high-tech materials are applied in the production of our pyro-electric detectors. Some of these materials are sensitive to high temperature exposure or to specific forms of stress. Our parts are compliant with environmental regulations as can be reviewed on the Excelitas website. We recommend to always check your local regulations. Disposal shall only be carried out in accordance with the latest legislation and directives. In Europe, WEEE directives must be followed.

The leads of these detectors have been pre-tinned with lead free tin process and may be applied through lead-free solder processes. As such the detectors will enable the design of RoHS compliant products.

### **Marking:**

The marking of the detector includes the principal type plus a 4 digit number that represents the Excelitas storage and specification number (3XXX) and a date code, consisting of years and week detail. The marking is on the top or side of the detector.

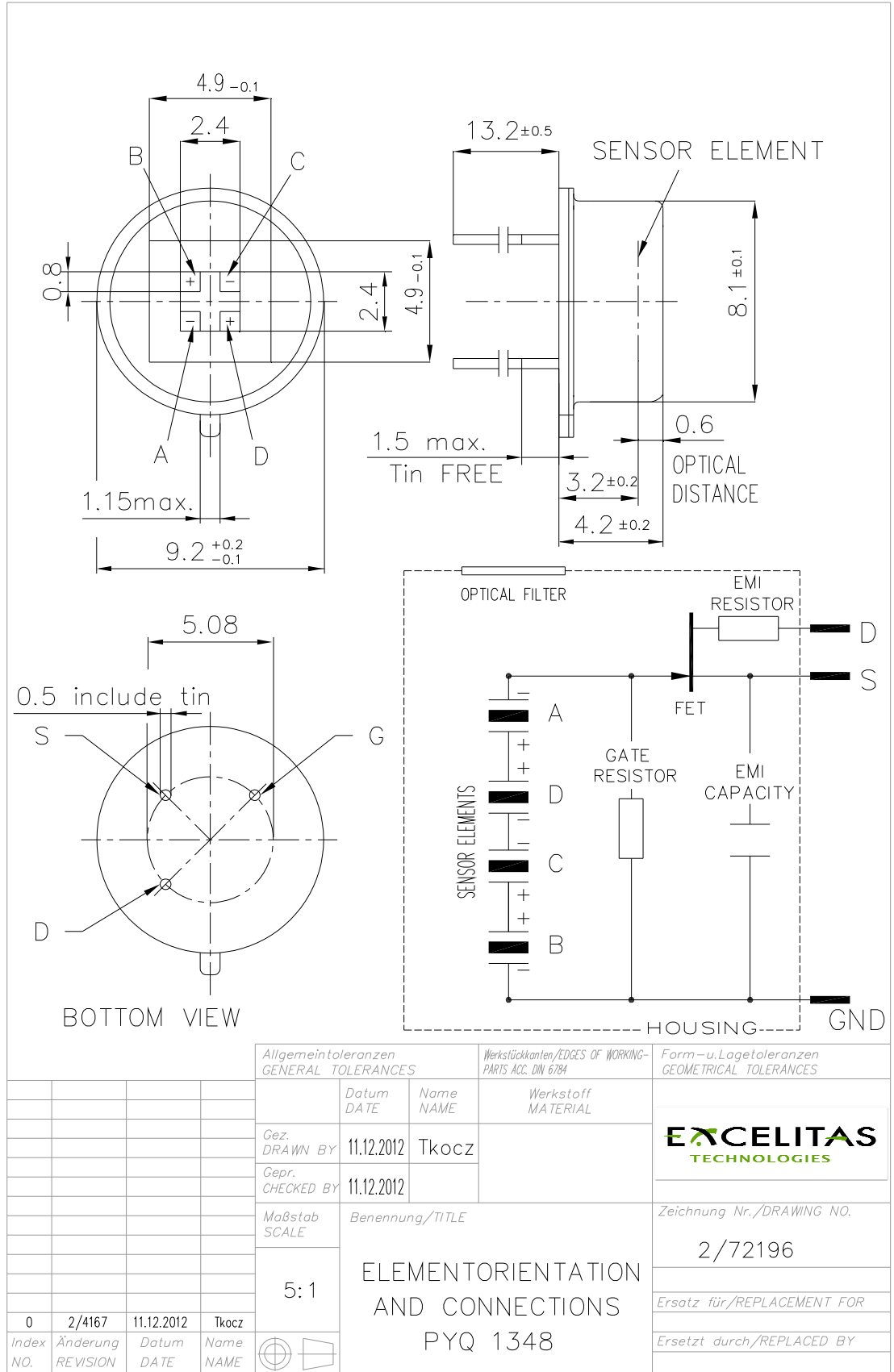
### **Performance Advice**

Before taking a reading, during testing, and / or operation the unit has to become thermally stable due to its nature as a thermal detector and the high sensitivity of the device.

All data are specified at room temperature. When operating at other temperatures within the specified operating range, parameters may vary. The detectors might operate outside the quoted range but may have degraded performance.

The reproduction, transmission or use of this document or its contents is not permitted without express written authority. Offenders will be liable for damages. All rights, including rights created by patent grant or registration of a utility model or design are reserved.

Weitergabe sowie Vervielfältigung dieser Unterlage, Verwertung und Mitteilung ihres Inhalts ist nicht gestattet, soweit nicht ausdrücklich zugestanden. Zuwiderhandlungen verpflichten zu Schadenersatz. Alle Rechte vorbehalten, insbesondere für den Fall der Patenterteilung oder GM-Eintragung.



Allgemeintoleranzen GENERAL TOLERANCES		Werkstückkanten/EDGES OF WORKING-PARTS ACC. DIN 6784		Form- u. Lagetoleranzen GEOMETRICAL TOLERANCES
	Datum DATE	Name NAME	Werkstoff MATERIAL	
	Gez. DRAWN BY	11.12.2012	Tkocz	
	Gepr. CHECKED BY	11.12.2012		
	Maßstab SCALE	Benennung/TITLE		Zeichnung Nr./DRAWING NO.
	5:1	ELEMENTORIENTATION AND CONNECTIONS PYQ 1348		2/72196
				Ersatz für/REPLACEMENT FOR
				Ersetzt durch/REPLACED BY

A4.dwg