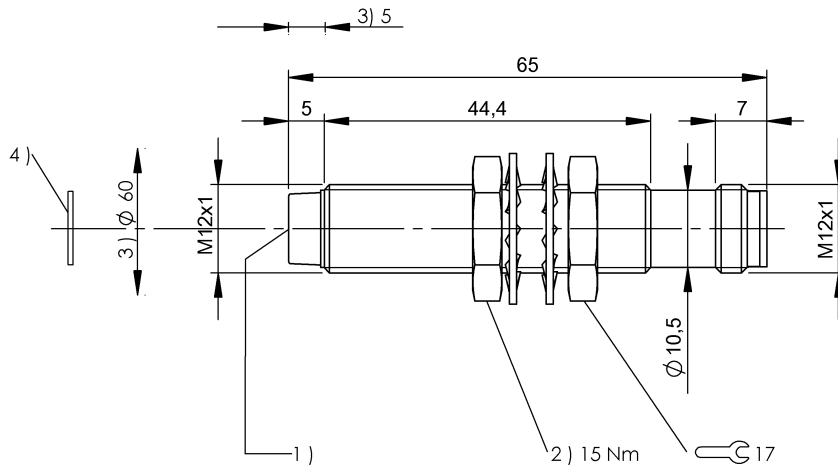


## BIS VM-348-401-S4 BIS013H



1) Sensing surface 2) Tightening torque 3) Clear zone 4) Data carrier



### Display/Operation

Function indicator	Operating, LED yellow flashing CP (Code tag present), LED yellow Power (ON), LED green
--------------------	--

### Electrical connection

Connection	Connector, 4-pole
------------	-------------------

### Electrical data

EN 300330-1	Power Class 5
-------------	---------------

### Environmental conditions

Ambient temperature	0...70 °C
EN 60068-2-27, Continuous shock load	yes
EN 60068-2-27, Shock	yes
EN 60068-2-6, Vibration	yes
Protection type IEC 60529	IP67
Storage temperature	-20...85 °C

### Functional safety

EN 60068-2-32 Free fall	yes
-------------------------	-----

### General data

Antenna type	round
Approval/Conformity	CE UL-FILE E227256, Vol.X1, BIS

### Material

Housing material	Brass, Nickel-plated brass nuts
Housing material, surface protection	nickel plates

### Mechanical data

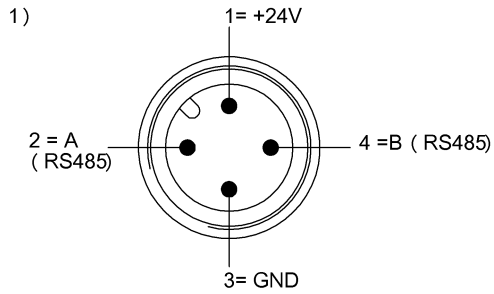
Application weight	30.00 g
Dimension	Ø 12 x 65 mm
Installation	with clear zone (in steel)
Size	M12x1

### Remarks

For basic equipment: Accessories see [www.balluff.com](http://www.balluff.com)  
Use included nuts and fastening clamps for installation.  
Values are under rated conditions unless otherwise specified.  
For installation in metal: Observe clear zone.  
Only together with BIS V-6xxx

BIS VM-348-401-S4  
BIS013H

## Connector view



1) View towards connector

BIS VM-348-401-S4  
BIS013H

Additional View

**BIS VM-348-401**

	BIS M-105-02/A	BIS M-122-02/A	BIS M-110-02/A	BIS M-116-03/A	
passende Datenträger Appropriate data carriers					
Abstand Datenträger zu Metall in mm ( a ) Data carrier distance to metal in mm	>50	>50	>50	>50	>50
Freizone Datenträger in mm ( b ) Data carrier clear zone in mm	>200	>200	>200	>200	>200
Schreibabstand in mm Write distance in mm	0-7	0-5	0-7	0-5	0-3 0-2
Lesabstand in mm Read distance in mm	0-7	0-5	0-12	0-5	0-3 0-2
Versatz in mm bei Abstand von	0 ±5	±3	±7	±4	±2.5 ±2
	1 ±5	±3	±7	±4	±2.5 ±1
	2 ±5	±3	±7	±4	±2
	3 ±4.5	±2.5	±7	±3	±1
	4 ±4.5	±2.5	±7	±3	
	5 ±4.5	±1	±6	±1.5	
	6 ±4.5	±4	±6		
	7 ±2.5	±2	±6		
	8		±6		
	10		±3		
	12		±3		
	18				
	20				
	22				
	24				
	26				
	28				
	30				
	32				
	34				
	36				

