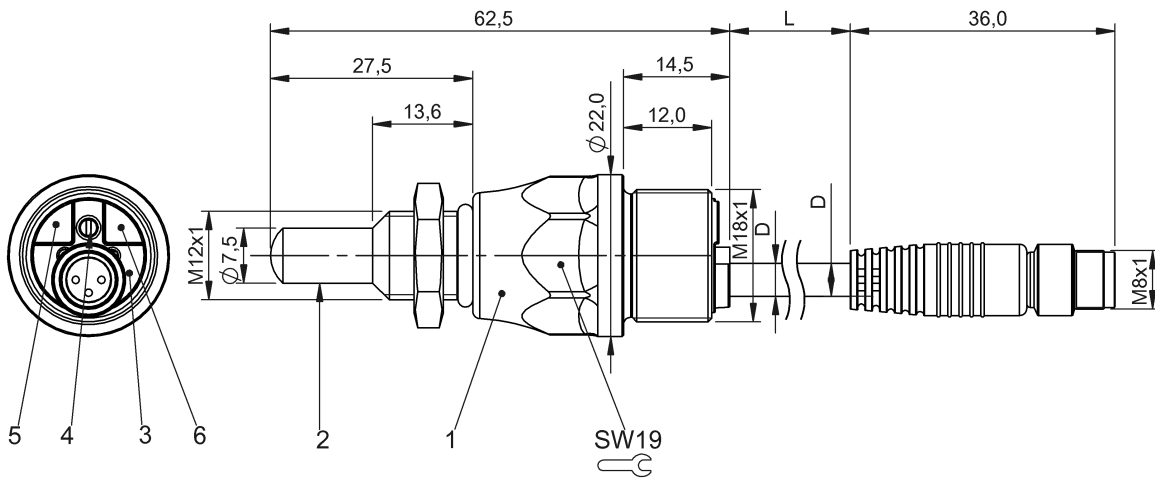


BCS S44KK01-NOCFNG-EP00,3-GS49 BCS00ZP



1) Housing 2) Sensing surface 3) Cover 4) Potentiometer 5) Function indicator yellow 6) Power indicator green



Display/Operation

Function indicator	yes
Power indicator	yes

Electrical connection

Cable diameter D	4.70 mm
Cable length	0.3 m
Connection	M8x1-Connector, 3-pole
Connection type	Cable with connector, 0.30 m, PUR
Polarity reversal protected	yes
Short-circuit protection	yes

Electrical data

Load capacitance max. at Ue	10 µF
MTTF (40 °C)	250 a
Operating voltage U _b	10...30 VDC
Pollution degree	3
Protected against miswiring	yes
Rated insulation voltage U _i	75 V DC
Rated operating current I _e DC	50 mA
Rated operating voltage U _e DC	24 V
Ready delay t _v max.	100 ms
Switching frequency	10 Hz
Utilization category	DC -13
Voltage drop static max.	2 V

Environmental conditions

Ambient temperature	-5...105 °C
Protection type IEC 60529	IP67 sensing surface: IP68 10 bar

Internet www.balluff.com
 Balluff Germany +49 (0) 7158 173-0, 173-370
 Balluff USA 1-800-543-8390
 Balluff China +86 (0) 21-50 644131

Storage temperature -25...80 °C

Functional safety

Diagnostic coverage	0 %
Functional safety	no

General data

Approval/Conformity	CE
Basic standard	IEC 60947-5-2
Scope of delivery	1x Nut + 1x O-ring Ø10x2
Sensitivity	media-dependent, adjustable
Series	Level sensor

Material

Cover material	PA
Housing material	PEEK
Material cover	PA
Material jacket	PUR
Material sensing surface	PEEK

Mechanical data

Dimension	Ø 12 x 62.5 mm
Installation	non-flush
Size	M12x1
Thread (A)	M12x1
Tightening torque	1.5 Nm

Output/Interface

Switching output	NPN Normally closed (NC)
------------------	--------------------------

For definitions of terms, see main catalog
 Subject to change without notice

eCl@ss 9.1: 27-27-01-02
 ETIM 6.0: EC002715
 BCS00ZP_09-03-17_18:14

BCS S44KK01-NOCFNG-EP00,3-GS49 BCS00ZP

Range/Distance

Ripple max. (% of Ue) 10 %

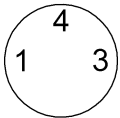
Remarks

The push-pull switching outputs must not be connected in parallel.

For further information on MTTF/B10d, please refer to the MTTF / B10d Certificate.

Specification of the MTTF value and the B10d value do not represent any binding quality and/or life expectancy guarantees.

Connector view



Wiring Diagram

