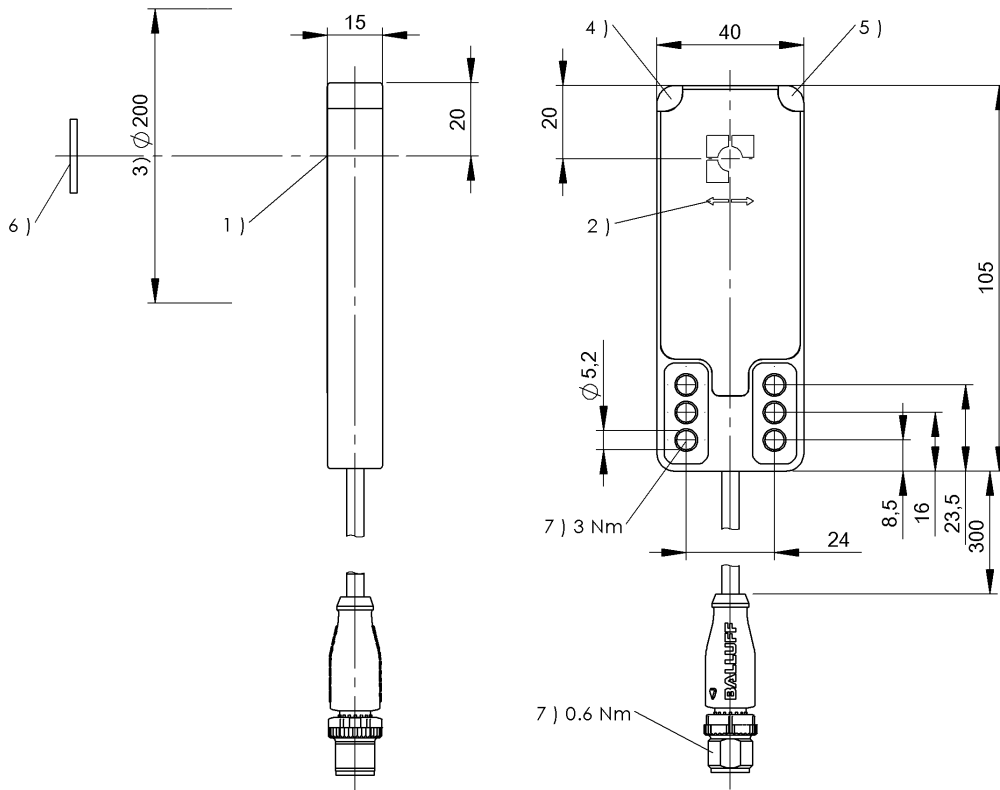


BIS M-458-045-001-07-S4
BIS014K



1) Sensing surface 2) Read/write axis 3) Clear zone 4) LED (Power) 5) LED (CP) 6) Data carrier 7) Tightening torque



Display/Operation

Function indicator	CP (Code tag present), LED yellow Power (ON), LED green Operating, LED green flashing
--------------------	---

Electrical connection

Connection	Connector, 4-pole
------------	-------------------

Electrical data

Current consumption max. at 24 V DC	150 mA
EN 300330-1	Power Class 5
Operating voltage U_b	18...30 VDC Supports only LPS/ Class 2

Environmental conditions

Ambient temperature	0...70 °C
EN 60068-2-27, Continuous shock load	yes
EN 60068-2-27, Shock	yes
EN 60068-2-6, Vibration	yes
Protection type IEC 60529	IP67

Storage temperature	-20...85 °C
---------------------	-------------

Functional safety

EN 60068-2-32 Free fall	yes
-------------------------	-----

General data

Antenna type	Rod
Approval/Conformity	CE

Material

Housing material	Zinc, Die casting
Housing material, surface protection	nickel plates

Mechanical data

Application weight	360.00 g
Dimension	40 x 15 x 105 mm
Installation	with clear zone (in steel)

BIS M-458-045-001-07-S4 BIS014K

Output/Interface

Interface	IO-Link 1.1
IO-Link version	1.1

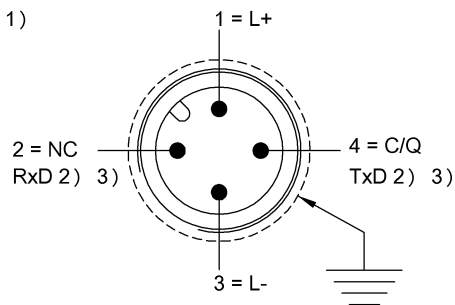
Remarks

For basic equipment: Accessories see www.balluff.com
Values are under rated conditions unless otherwise specified.
For installation in metal: Observe clear zone.

Range/Distance

Residual ripple max.	1.3 Vpp
----------------------	---------

Connector view



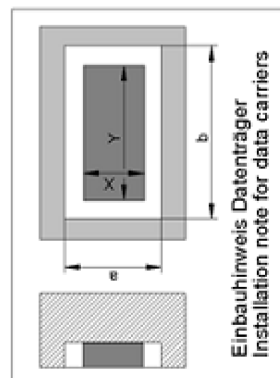
1) View towards connector 2) Service 3) (Only for Balluff Service)

Additional View

BIS M-458-045-001-07-S4
BIS014K

BIS M-458-045-001-

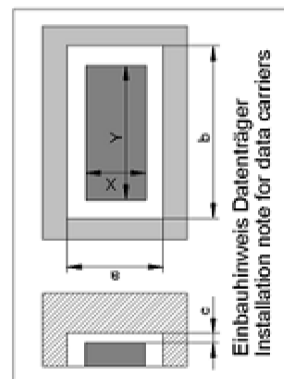
	BIS M-150-02/A	BIS M-151-02/A	BIS M-150-02/A	BIS M-151-02/A
passende Datenträger Appropriate data carriers				
Freizone Datenträger in mm (a) Data carrier clear zone in mm	>200 >200	>200 >200	>200 >200	>200 >200
Freizone Datenträger in mm (b) Data carrier clear zone in mm	>200 >200	>200 >200	>200 >200	>200 >200
Datenträger Metall-Montagefläche 40x22 Data carrier metal mounting surface 40x22	0-38 0-38	0-38 0-38	0-42 0-42	0-34 0-34
Datenträger Metall-Montagefläche ≥ 200x200 Data carrier metal mounting surface ≥ 200x200			0-42 0-42	0-34 0-34
Schreibabstand in mm Write distance in mm	0-38 0-38	0-38 0-38	0-42 0-42	0-34 0-34
Leseabstand in mm Read distance in mm	0-38 0-38	0-38 0-38	0-42 0-42	0-34 0-34
Versatz in mm bei Abstand von	X Y	Y X	X Y	Y X
	0 ±43 ±18	±40 ±20	±45 ±21	±35 ±17
	5 ±43 ±18	±40 ±20	±45 ±21	±35 ±17
	10 ±43 ±18	±40 ±20	±45 ±21	±35 ±17
	15 ±40 ±17	±35 ±18	±43 ±20	±33 ±15
	20 ±40 ±17	±35 ±18	±43 ±20	±33 ±15
	30 ±35 ±15	±30 ±15	±40 ±18	±28 ±13
	34 ±18 ±5	±10 ±5	±24 ±12	±10 ±5
	38 ±18 ±5	±10 ±5	±24 ±12	
	40		±24 ±12	
	42		±15 ±8	
	50			
	60			
	70			
	80			
	90			
	100			



BIS M-458-045-001-07-S4
BIS014K

BIS M-458-045-001-

	BIS M-152-03/A	BIS M-153-02/A	BIS M-153-02/A	BIS M-153-02/A	BIS M-154-03/A
passende Datenträger Appropriate data carriers					
Freizone Datenträger in mm (a) Data carrier clear zone in mm	>200	>240	>240	>240	>200
Freizone Datenträger in mm (b) Data carrier clear zone in mm	>200	>480	>480	>480	>200
Freizone Datenträger in mm (c) Data carrier clear zone in mm	>50	>50	>50	>0	>50
Schreibabstand in mm Write distance in mm	0-18	0-54	0-54	0-54	0-16
Lesebestand in mm Read distance in mm	0-18	0-54	0-54	0-54	0-16
Versatz in mm bei Abstand von	X ±22	X ±60	Y ±30	Y ±60	X ±20
Offset in mm at distance	5	±12	±12	±30	±10
	10	±12	±10	±30	±10
	15	±8	±10	±30	±9
	16	±16	±8	±27	±14
	18	±5	±2	±27	±5
	30	±5	±2	±27	±2
	35			±27	
	40			±25	
45			±25		
50			±17		
54			±17		
56			±17		
60			±7		
70					
80					



BIS M-458-045-001-

	BIS M-191-02/A																		
passende Datenträger																			
Appropriate data carriers																			
Freizone Datenträger in mm (a)	>27	>27																	
Data carrier clear zone in mm																			
Freizone Datenträger in mm (b)	>27	>27																	
Data carrier clear zone in mm																			
Schreibabstand in mm	0-25	0-25																	
Write distance in mm																			
Lesabstand in mm	0-25	0-25																	
Read distance in mm																			
Versatz in mm	X	Y																	
bei Abstand von	0	±30	±20																
Offset in mm	5	±30	±20																
at distance	10	±30	±20																
	15	±25	±15																
	20	±15	±10																
	25	±5	±5																
	27																		
	35																		
	40																		
	42																		
	50																		
	57																		
	60																		
	65																		
	70																		
	75																		

