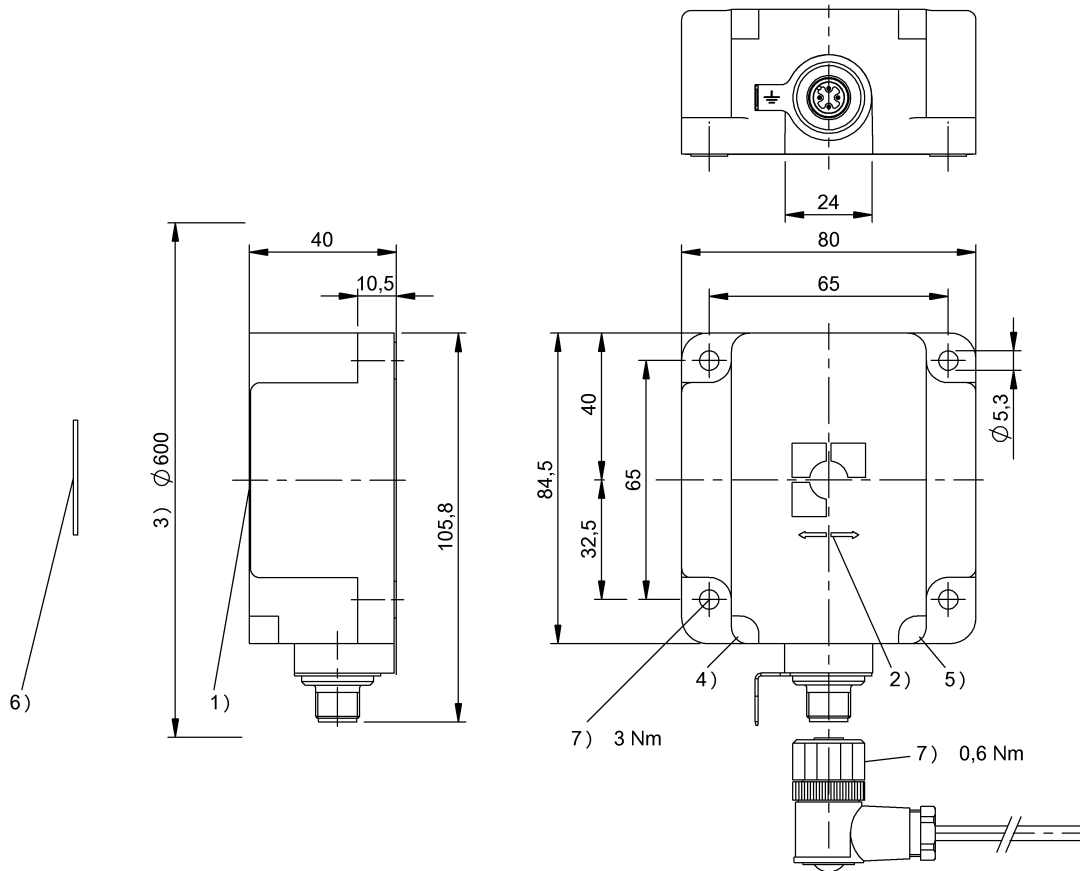


BIS VM-351-401-S4  
BIS012Z



1) Sensing surface 2) Read/write axis 3) Clear zone 4) LED (Power) 5) LED (CP) 6) Data carrier 7) Tightening torque



## Display/Operation

Function indicator	Operating, LED yellow flashing CP (Code tag present), LED yellow Power, LED green
--------------------	---

## Electrical connection

Connection	Connector, 4-pole
------------	-------------------

## Electrical data

EN 300330-1	Power Class 5
-------------	---------------

## Environmental conditions

Ambient temperature	0...70 °C
EN 60068-2-27, Continuous shock load	yes
EN 60068-2-27, Shock	yes
EN 60068-2-6, Vibration	yes
Protection type IEC 60529	IP67
Storage temperature	-20...85 °C

## Functional safety

EN 60068-2-32 Free fall	yes
-------------------------	-----

## General data

Antenna type	Rod
Approval/Conformity	CE UL-FILE E227256, Vol.X1, BIS

## Material

Housing material	PBT
------------------	-----

## Mechanical data

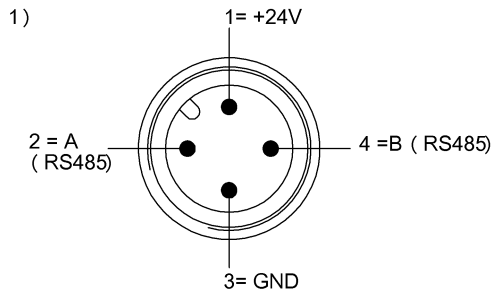
Application weight	360.00 g
Dimension	80 x 40 x 84.5 mm
Installation	with clear zone (in steel)

BIS VM-351-401-S4  
BIS012Z

## Remarks

Only for data carriers acc. to ISO 15693.  
For basic equipment: Accessories see [www.balluff.com](http://www.balluff.com)  
Values are under rated conditions unless otherwise specified.  
For installation in metal: Observe clear zone.  
Only together with BIS V-6xxx

## Connector view



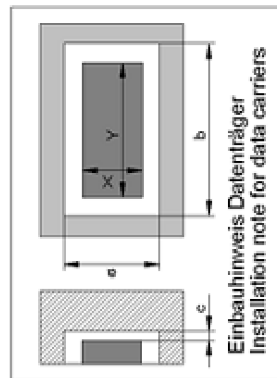
1) View towards connector

## Additional View



## BIS VM-351-401

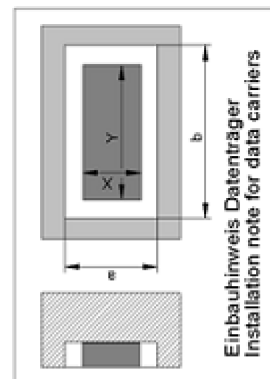
	BIS M-152-03/A	BIS M-153-02/A	BIS M-153-02/A	BIS M-153-1x/A	BIS M-157-17/A
passende Datenträger Appropriate data carriers					
Freizone Datenträger in mm ( a ) Data carrier clear zone in mm	>200 >200	>240 >240	>240 >240	>240 >240	>200 >200
Freizone Datenträger in mm ( b ) Data carrier clear zone in mm	>200 >200	>480 >480	>480 >480	>480 >480	>200 >200
Freizone Datenträger in mm ( c ) Data carrier clear zone in mm	>50 >50	>50 >50	>0 >0	>50 >50	>50 >50
Schreibabstand in mm Write distance in mm	0-36 0-36	0-100 0-100	0-110 0-110	0-60 0-60	0-25 0-25
Lesabstand in mm Read distance in mm	0-36 0-36	0-100 0-100	0-110 0-110	0-60 0-60	0-25 0-25
Versatz in mm bei Abstand von	X Y	X Y	X Y	X Y	X Y
0	±45 ±23	±110 ±50	±120 ±50	±70 ±30	±35 ±21
5	±45 ±23	±110 ±50	±120 ±50	±70 ±30	±35 ±21
10	±45 ±23	±110 ±50	±120 ±50	±70 ±30	±35 ±21
15	±45 ±23	±110 ±50	±120 ±50	±70 ±30	±33 ±19
20	±40 ±20	±110 ±50	±120 ±50	±70 ±30	±23 ±13
25	±40 ±20	±100 ±50	±100 ±50	±60 ±30	±7 ±5
30	±36 ±18	±100 ±50	±100 ±50	±60 ±30	
36	±20 ±10	±100 ±50	±100 ±50	±60 ±30	
40		±100 ±50	±100 ±50	±60 ±30	
45		±100 ±50	±100 ±50	±50 ±25	
50		±100 ±50	±100 ±50	±50 ±25	
60		±80 ±35	±80 ±35	±15 ±10	
70		±80 ±35	±80 ±35		
80		±80 ±35	±80 ±35		
90		±80 ±35	±80 ±35		
100		±35 ±15	±80 ±35		
110			±25 ±15		



BIS VM-351-401-S4  
BIS012Z

## BIS VM-351-401

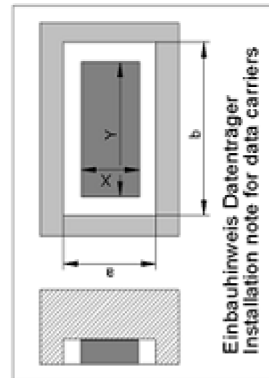
	BIS M-155-1x/A	BIS M-155-1x/A	BIS M-156-1x/A	BIS M-156-1x/A
passende Datenträger Appropriate data carriers				
Freizone Datenträger in mm ( a ) Data carrier clear zone in mm	>200 >200	>200 >200	>200 >200	>200 >200
Freizone Datenträger in mm ( b ) Data carrier clear zone in mm	>200 >200	>200 >200	>200 >200	>200 >200
Datenträger Metall-Montagefläche 40x22 Data carrier metal mounting surface 40x22	0-40 0-40		0-42 0-42	
Datenträger Metall-Montagefläche ≥ 200x200 Data carrier metal mounting surface ≥ 200x200		0-50 0-50		0-42 0-42
Schreibabstand in mm Write distance in mm	0-40 0-40	0-50 0-50	0-42 0-42	0-42 0-42
Lesebstand in mm Read distance in mm	0-40 0-40	0-50 0-50	0-42 0-42	0-42 0-42
Versatz in mm bei Abstand von Offset in mm at distance	X Y 0 ±50 ±24 5 ±50 ±24 12 ±50 ±24 15 ±50 ±24 18 ±50 ±24 20 ±50 ±24 22 ±40 ±22 25 ±40 ±22 30 ±40 ±22 32 ±40 ±22 36 ±40 ±22 40 ±20 ±10 42	X Y ±55 ±28 ±55 ±28 ±56 ±28 ±55 ±28 ±56 ±28 ±55 ±28 ±50 ±25 ±50 ±25 ±40 ±20 ±40 ±20 ±40 ±20 ±40 ±20 ±20 ±10	Y X ±50 ±25 ±50 ±25 ±50 ±25 ±45 ±25 ±45 ±22 ±45 ±22 ±45 ±22 ±45 ±22 ±36 ±19 ±36 ±19 ±36 ±19 ±18 ±10 ±18 ±10	Y X ±50 ±25 ±50 ±25 ±50 ±25 ±45 ±25 ±45 ±22 ±45 ±22 ±45 ±22 ±45 ±22 ±36 ±19 ±36 ±19 ±36 ±19 ±18 ±10 ±18 ±10
50		±40 ±20		
52		±20 ±10		
60				
65				



BIS VM-351-401-S4  
BIS012Z

## BIS VM-351-401

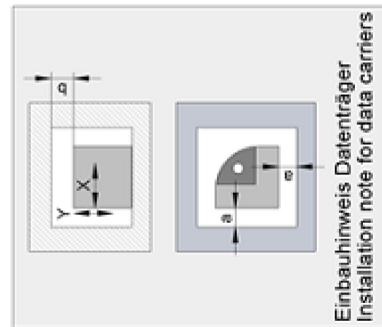
	BIS M-155-20/A	BIS M-155-20/A	BIS M-156-20/A	BIS M-156-20/A
passende Datenträger Appropriate data carriers				
Freizone Datenträger in mm ( a ) Data carrier clear zone in mm	>200	>200	>200	>200
Freizone Datenträger in mm ( b ) Data carrier clear zone in mm	>200	>200	>200	>200
Datenträger Metall-Montagefläche 40x22 Data carrier metal mounting surface 40x22	0-75	0-75	0-70	0-70
Datenträger Metall-Montagefläche ≥ 200x200 Data carrier metal mounting surface ≥ 200x200				
Schreibabstand in mm Write distance in mm	0-75	0-70	0-70	0-54
Lesabstand in mm Read distance in mm	0-75	0-70	0-70	0-54
Versatz in mm bei Abstand von Offset in mm at distance	0-75	0-70	0-70	0-54
	X	Y	Y	X
0	±85	±35	±80	±34
5	±85	±35	±80	±34
10	±85	±35	±80	±34
15	±85	±35	±80	±34
20	±85	±35	±80	±34
25	±85	±35	±75	±30
30	±85	±35	±75	±30
35	±75	±30	±75	±30
40	±75	±30	±75	±30
45	±75	±30	±65	±27
50	±75	±30	±65	±27
54	±60	±25	±65	±27
60	±60	±25	±65	±27
65	±60	±25	±40	±20
70	±60	±25	±40	±20
75	±40	±15		
80				



BIS VM-351-401-S4  
BIS012Z

## BIS VM-351-401

	BIS M-191-02/A	BIS M-191-02/A	BIS M-191-02/A	BIS M-191-02/A
passende Datenträger Appropriate data carriers				
Freizone Datenträger in mm ( a ) Data carrier clear zone in mm	>27	>27	>27	>27
Freizone Datenträger in mm ( b ) Data carrier clear zone in mm	>27	>27	>27	>27
Datenträger auf Metall-Montagefläche Data carrier on metal mounting surface	0-27	0-27	0-27	0-27
Montage Metallfrei Mounting non-metal	0-57	0-57		
Schreibabstand in mm Write distance in mm	0-57	0-57	0-27	0-27
Lesabstand in mm Read distance in mm	0-57	0-57	0-27	0-27
Versatz in mm bei Abstand von Offset in mm at distance	X ±70 ±35	Y ±70 ±35	X ±40 ±20	Y ±40 ±20
	5 ±70 ±35		±40 ±20	
	10 ±70 ±35		±40 ±20	
	15 ±70 ±35		±30 ±18	
	20 ±70 ±35		±30 ±18	
	25 ±60 ±30		±25 ±15	
	27 ±60 ±30		±15 ±5	
	35 ±60 ±30			
	40 ±60 ±30			
	45 ±50 ±25			
	50 ±50 ±25			
	57 ±30 ±15			
	60			
	65			
	70			
	75			



Einbauhinweis Datenträger  
Installation note for data carriers