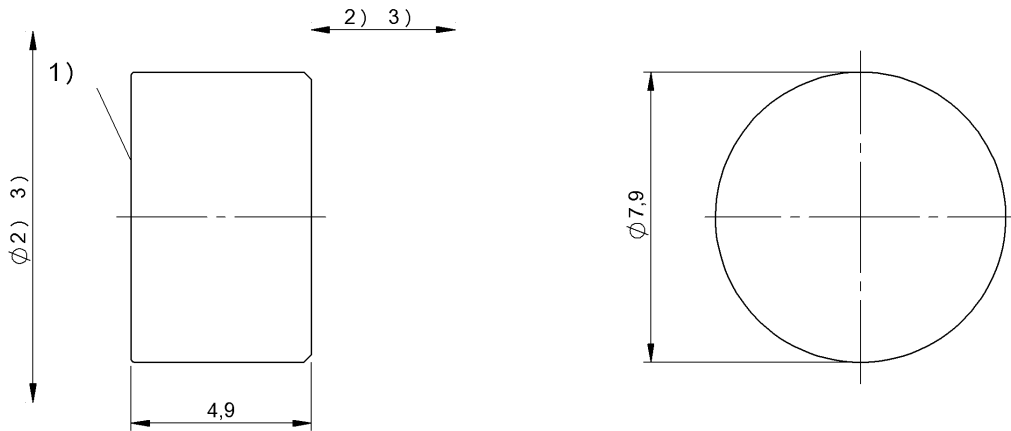


BIS M-130-10/L BIS00YJ



1) Sensing surface 2) Clear zone 3) see corresponding R/W head



Electrical data

Data retention time/years	≥ 10
Memory capacity	736 Byte
Memory organization	47 × 16 bytes
Memory size, read	4 Byte
Programming cycles	≥ 100 000
Programming time	for 16 bytes: 0.040s
Read cycles	Unlimited
Read time	for 16 bytes: 0.02 s User ID for 4 bytes: 0.02s

Environmental conditions

Ambient temperature	-20...85 °C
EN 60068-2-27, Continuous shock load	yes
EN 60068-2-27, Shock	yes
EN 60068-2-6, Vibration	yes
Protection type IEC 60529	IP68
Storage temperature	-40...85 °C

Functional safety

EN 60068-2-32 Free fall	yes
-------------------------	-----

General data

Antenna type	round
Approval/Conformity	CE
EN 55011	Size 1, Cl. A
EN 55022	Size 1, Cl. B

Material

Housing material	ABS
------------------	-----

Mechanical data

Application weight	1.00 g
Dimension	Ø 7.9 x 4.9 mm
Installation	with clear zone (in steel)

Remarks

For installation in metal: Observe clear zone.
Values are under rated conditions unless otherwise specified.
Only when used together with the appropriate read/write head.
For installation requirements see corresponding read/write head.
Time specification includes data check.