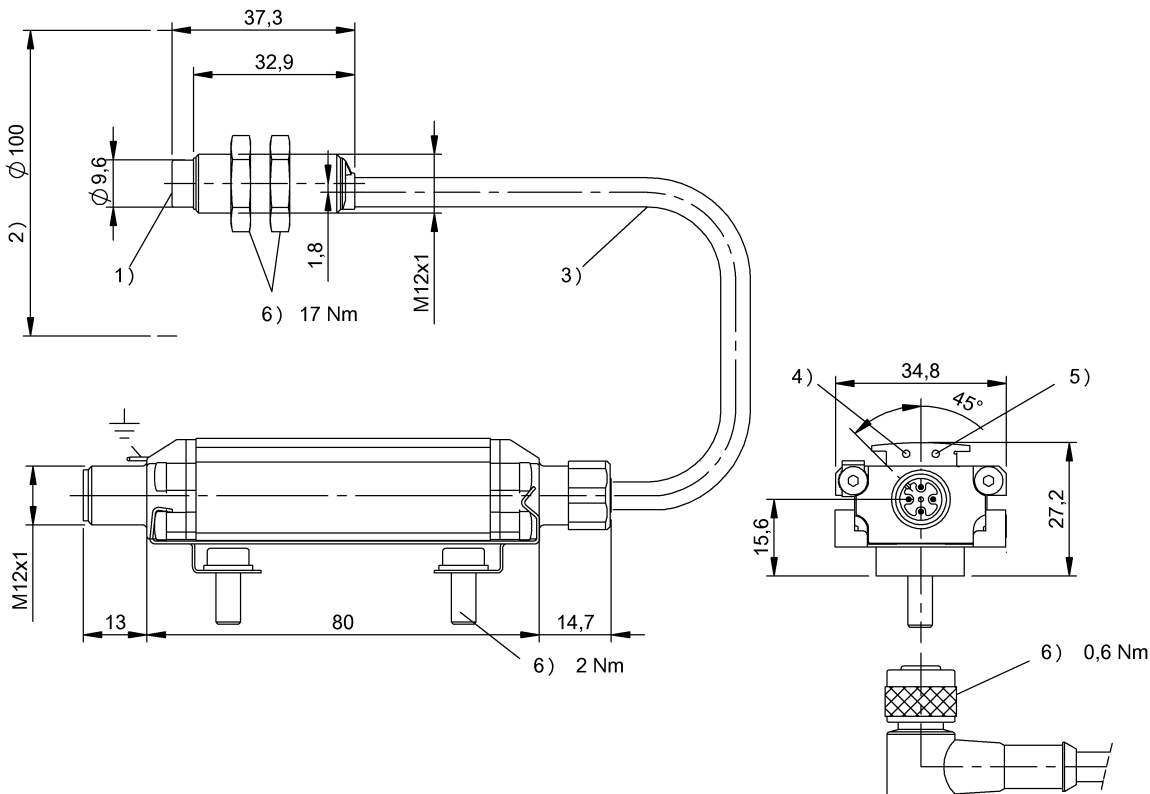


## BIS VM-306-001-S4 BIS00T7



1) Sensing surface 2) Clear zone 3) Cable length see text 4) LED (Power) 5) LED (CP) 6) Tightening torque



### Display/Operation

Function indicator	Operating, LED yellow flashing CP (Code tag present), LED yellow Power (ON), LED green
--------------------	--

Cable temperature, fixed routing	-50...80 °C
EN 60068-2-27, Continuous shock load	yes
EN 60068-2-27, Shock	yes
EN 60068-2-6, Vibration	yes
Protection type IEC 60529	IP67
Storage temperature	-20...85 °C

### Electrical connection

Bending radius min., fixed cable	5 x D
Bending radius min., flexible cable	10 x D
Cable diameter D	5.40 mm
Cable length	0.5 m, Drag chain compatible
Cable, bending cycles min.	2 million
Connection	Connector, 4-pole
Connection type	0.50 m, PU

### Functional safety

EN 60068-2-32 Free fall	yes
-------------------------	-----

### General data

Antenna type	round
Approval/Conformity	CE UL-FILE E227256, Vol.X1, BIS

### Electrical data

EN 300330-1	Power Class 5
-------------	---------------

### Material

Housing material	Brass, Interface aluminum
Housing material, surface protection	nickel plates
Material jacket	PU

### Environmental conditions

Ambient temperature	0...70 °C
Cable temperatur, drag chain	-25...60 °C

## BIS VM-306-001-S4 BIS00T7

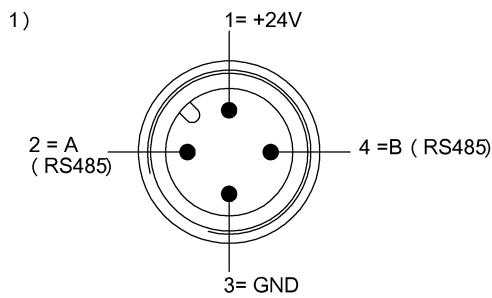
### Mechanical data

Application weight	180.00 g
Dimension	Ø 12 x 37.3 mm
Installation	with clear zone (in steel)
Size	M12x1

### Remarks

For basic equipment: Accessories see [www.balluff.com](http://www.balluff.com)  
For installation in metal: Observe clear zone.  
Values are under rated conditions unless otherwise specified.  
Use included nuts and fastening clamps for installation.  
Only together with BIS V-61xx

### Connector view



1) View towards connector

