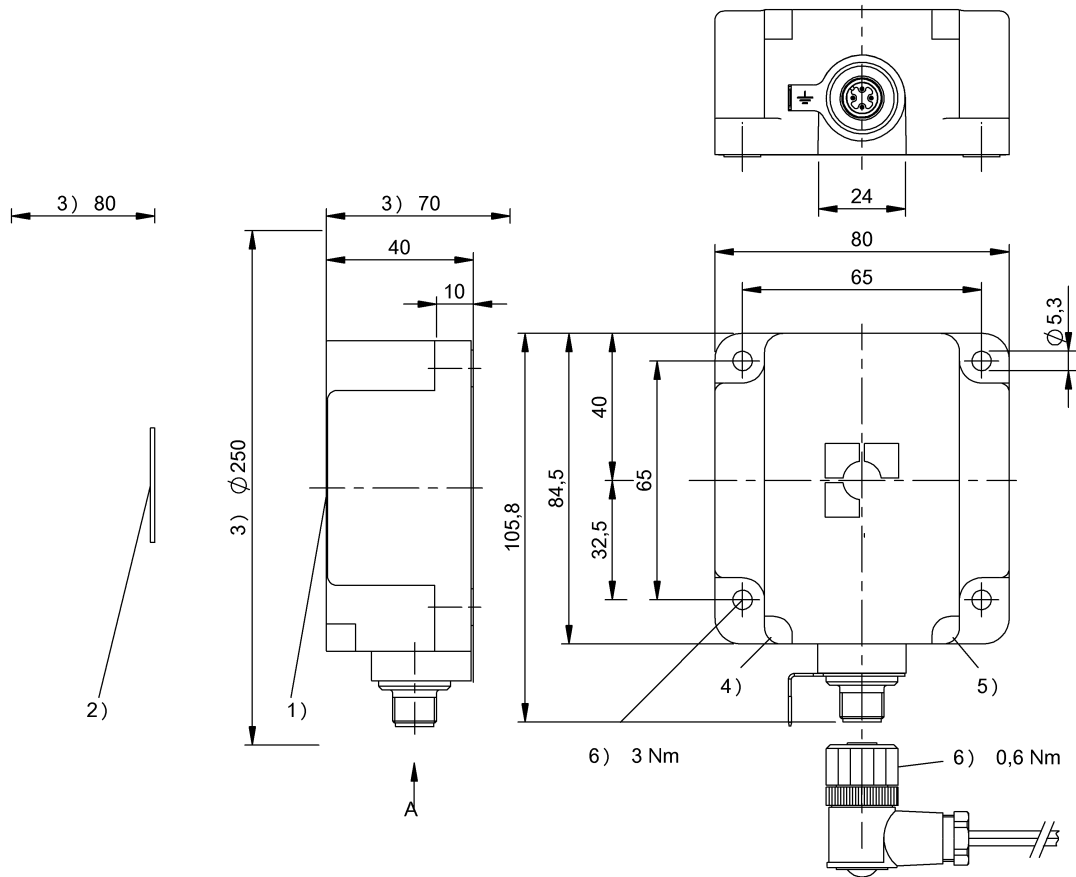


BIS VM-301-001-S4  
BIS00T0



1) Sensing surface 2) Data carrier 3) Clear zone 4) LED (Power) 5) LED (CP) 6) Tightening torque



## Display/Operation

Function indicator	Power (ON), LED green CP (Code tag present), LED yellow Operating, LED yellow flashing
--------------------	--

## Electrical connection

Connection	Connector, 4-pole
------------	-------------------

## Electrical data

EN 300330-1	Power Class 5
-------------	---------------

## Environmental conditions

Ambient temperature	0...70 °C
EN 60068-2-27, Continuous shock load	yes
EN 60068-2-27, Shock	yes
EN 60068-2-6, Vibration	yes
Protection type IEC 60529	IP67
Storage temperature	-20...85 °C

## Functional safety

EN 60068-2-32 Free fall	yes
-------------------------	-----

## General data

Antenna type	round
Approval/Conformity	CE UL-FILE E227256, Vol.X1, BIS

## Material

Housing material	PBT
------------------	-----

## Mechanical data

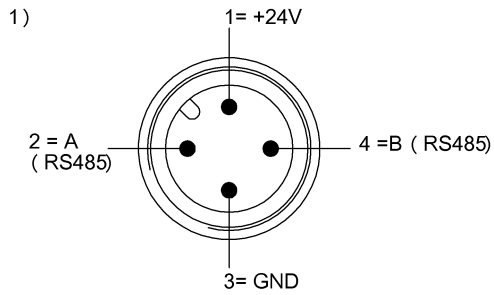
Application weight	190.00 g
Dimension	80 x 40 x 84.5 mm
Installation	with clear zone (in steel)

BIS VM-301-001-S4  
BIS00T0

## Remarks

Values are under rated conditions unless otherwise specified.  
For installation in metal: Observe clear zone.  
For basic equipment: Accessories see [www.balluff.com](http://www.balluff.com)  
Only together with BIS V-61xx

## Connector view



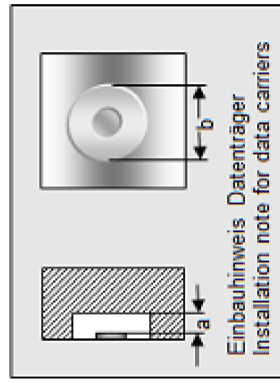
1) View towards connector

## Additional View

BIS VM-301-001-S4  
BIS00T0

## BIS VM-301-\_\_

	BIS M-101-01/L	BIS M-102-01/I	BIS M-108-02/L	BIS M-110-02/L	BIS M-111-02/L
passende Datenträger Appropriate data carriers					
Abstand Datenträger zu Metall in mm ( a ) Data carrier distance to metal in mm	>50 >10 >5	>50 >25 >10	>50 >20	>50 >30	>50 >30
Freizone Datenträger in mm ( b ) Data carrier clear zone in mm	>200 >60 >50	>200 >150 >150	>200 >60	>200 >100	>200 >100
Schreibabstand in mm Write distance in mm	0-34 0-20 0-15	0-45 0-43 0-35	0-45 8-22	0-32 0-20	0-45 0-30
Leseabstand in mm Read distance in mm	0-34 0-20 0-15	0-45 0-43 0-35	0-45 8-22	0-32 0-20	0-45 0-30
Versatz in mm bei Abstand von	0 ±22 ±18 ±14	±30 ±24 ±18	±32 ±20	±28 ±20	±32 ±22
	5 ±22 ±18 ±14	±30 ±24 ±18	±32 ±20	±28 ±20	±32 ±22
	9 ±22 ±18 ±14	±30 ±24 ±18	±32 ±20	±28 ±18	±32 ±22
	12 ±22 ±18 ±10	±30 ±24 ±18	±32 ±18	±24 ±18	±32 ±22
	15 ±22 ±18 ±10	±30 ±24 ±18	±32 ±18	±24 ±15	±32 ±20
	16 ±22 ±16 ±8	±30 ±24 ±18	±32 ±18	±24 ±15	±32 ±20
	18 ±22 ±16 ±6	±30 ±24 ±18	±32 ±16	±24 ±12	±32 ±18
	20 ±22 ±16 ±4	±30 ±24 ±18	±32 ±16	±24 ±8	±32 ±16
	22 ±20 ±10	±30 ±24 ±15	±25 ±14	±20	±25 ±14
	25 ±15 ±10	±30 ±24 ±15	±25	±20	±25 ±12
	30 ±15 ±4	±30 ±20 ±12	±25	±12	±25 ±10
	32 ±8	±30 ±18 ±8	±20	±12	±20
	35 ±4	±30 ±16 ±4	±20	±12	±20
	40	±24 ±10	±20		±20
	43	±20 ±4	±12		±12
	45	±16	±12		±12
	50	±4			
	52				
	60				
	65				
	70				



BIS VM-301-001-S4  
BIS00T0

## BIS VM-301-\_\_

	BIS M-112-02/L	BIS M-120-01/L	BIS M-107-03/L	BIS M-106-03/L	
passende Datenträger Appropriate data carriers					
Abstand Datenträger zu Metall in mm ( <b>a</b> ) Data carrier distance to metal in mm	>50	>80	>20	>1	
Freizone Datenträger in mm ( <b>b</b> ) Data carrier clear zone in mm	>200	>250	>110	>70	
Schreibabstand in mm Write distance in mm	0-70	0-50	0-28	0-32	0-32
Leseabstand in mm Read distance in mm	0-70	0-50	0-28	0-32	0-32
Versatz in mm bei Abstand von	0 ±40	±30	±20	±30	±25
	5 ±40	±30	±20	±30	±25
	9 ±40	±30	±20	±30	±25
	12 ±40	±30	±20	±25	±25
	15 ±40	±30	±20	±25	±25
	16 ±40	±30	±20	±25	±25
	18 ±40	±30	±17	±25	±22
	20 ±40	±30	±17	±25	±22
	22 ±40	±30	±10	±25	±22
	25 ±40	±30	±5	±25	±22
	30 ±40	±28		±20	±17
	32 ±40	±24		±20	±17
	35 ±40	±22			
	40 ±40	±20			
	43 ±35	±15			
	45 ±35	±12			
	50 ±35	±4			
	52 ±35				
	60 ±30				
	65 ±30				
	70 ±20				

