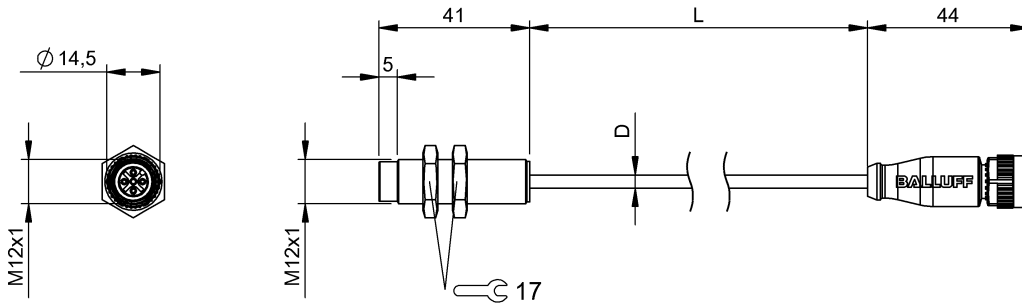


BIC 2I1-P2A05-M12MF-BPX0-003-M44A
BIC0078



Display/Operation

Function indicator no

Electrical connection

Bending radius min., fixed cable 5 x D
 Bending radius min., flexible cable 10 x D
 Cable diameter D 3.50 mm
 Cable length 0.3 m
 Connection M12x1, 5-pole
 Connection type Connector, 0.30 m, PUR
 Short-circuit protection yes

Electrical data

Current load per output max. 50 mA
 Signal type 2 digital inputs
 Switching frequency 60 Hz
 Transmission power 1.2 W

Environmental conditions

Ambient temperature -10...50 °C
 Interference immunity EN 61000-4-2/3/4/5/6
 Protection type IEC 60529 IP67

General data

Approval/Conformity CE

Component Function Remote Uni standard

Material

Housing material Brass
 Housing material, surface protection coated
 Material jacket PUR

Mechanical data

Installation non-flush
 Offset ±1 mm
 Size M12x1
 Tightening torque pigtail 0.6 Nm

Output/Interface

Digital inputs PNP

Range/Distance

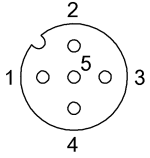
Range 0...2.5 mm
 Transmission distance 0...2.5 mm

Remarks

Enclosure rating per IEC 60529, only in screwed state with the associated mating piece.

BIC 2I1-P2A05-M12MF-BPX0-003-M44A
BIC0078

Connector view



PIN 1: +24V PIN 2: Input 1 PIN 3:
GND PIN 4: Input 2