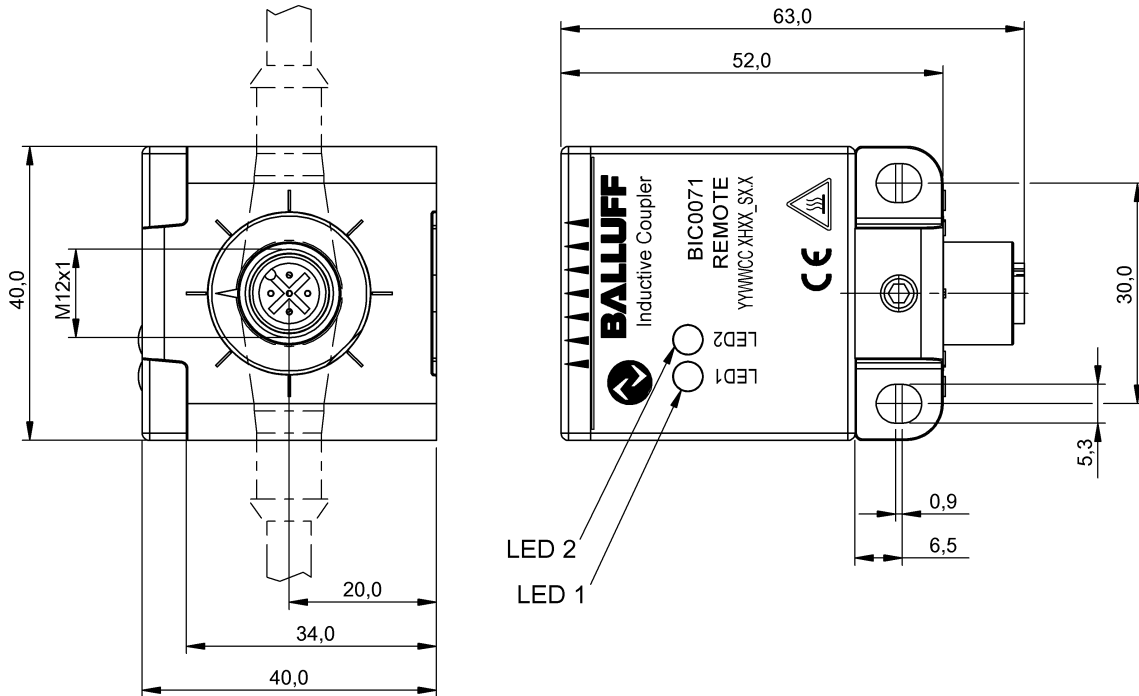


BIC 2B0-ITA50-Q40KFU-SM4A5A BIC0071



Display/Operation

Function indicator	yes
Power indicator	yes

Electrical connection

Connection	M12x1, 5-pole
Short-circuit protection	yes

Electrical data

MTTF (40 °C)	308 a
Output voltage	24 VDC
Rated output current	500 mA
SIO mode	no
Type of master port	A

Environmental conditions

Ambient temperature	-5...55 °C
Interference immunity	EN 61000-6-2
Protection type IEC 60529	IP67
Storage temperature	-25...70 °C

Functional safety

Diagnostic coverage	0 %
Functional safety	no
Mission Time	20 a

General data

Approval/Conformity	CE
Component	Remote
Function	IO-Link

Material

Housing material	PBT
Material sensing surface	PBTP

Mechanical data

Dimension	40 x 40 x 63 mm
Frame type	Device dependent
Tightening torque max.	40 Nm
Tightening torque pigtail	0.6 Nm

BIC 2B0-ITA50-Q40KFU-SM4A5A BIC0071

Output/Interface

IO-Link version	1.1
Process data in	0...32 bytes
Process data out	0...32 bytes

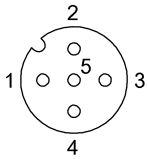
Range/Distance

Range	0...5 mm
Transmission distance	0...5 mm

For further information on MTTF/B10d, please refer to the MTTF / B10d Certificate.

Specification of the MTTF value and the B10d value do not represent any binding quality and/or life expectancy guarantees.

Connector view



IO-Link PIN 1: +24V PIN 2: Output PIN 3:
GND PIN 4: C/Q, IO-Link DC-Channel PIN 5: n.c.