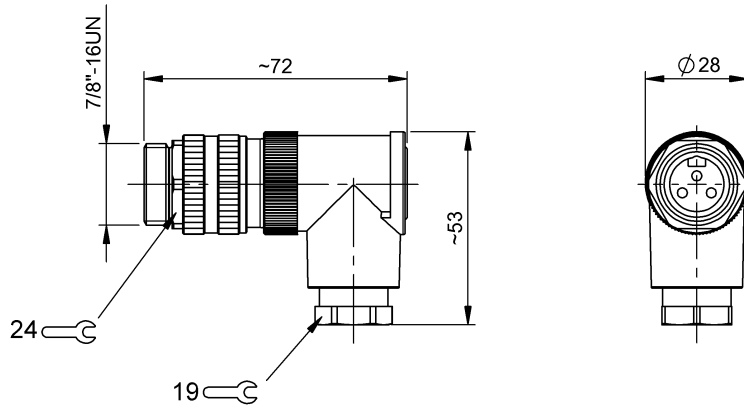


BCC A343-0000-20-000-61X3A5-000  
BCC0FKJ



## Electrical connection

Cable diameter D	8...10 mm
Conductor cross-section	0.75 mm <sup>2</sup>
Number of pins	3
System	Can be fabricated

## Electrical data

Rated current (40 °C)	12.0 A
-----------------------	--------

## Environmental conditions

Ambient temperature	-25...85 °C
---------------------	-------------

Protection type IEC 60529

IP67

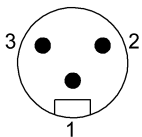
## Material

Material contact carrier	PUR/PA
Material contacts	Brass
Material cover nut	Die-cast zinc
Material grip	PBT

## Mechanical data

Connection cross-section	1.50 mm <sup>2</sup>
Type of wire mounting	Screw terminals

## Connector view



PIN 1-3 usable