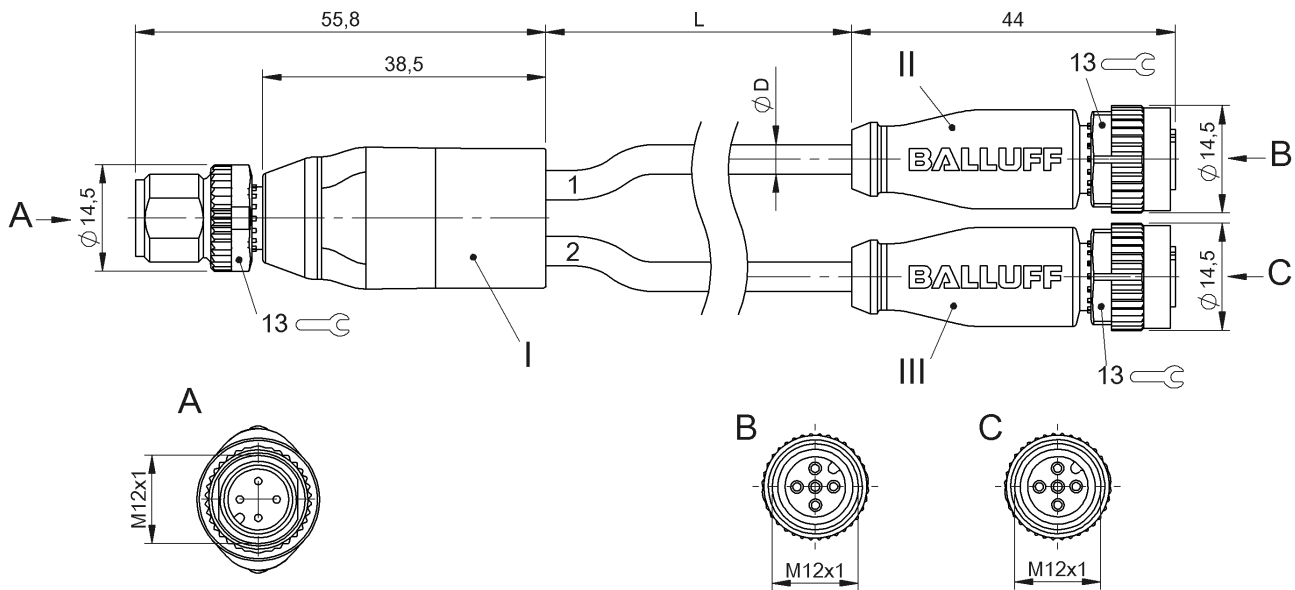


## BCC M414-M415-M415-U2032-010 BCC0C7E



Cable temperature UL max., flexible routing 80 °C

### Electrical connection

Bending radius min., fixed cable	5 x D
Bending radius min., flexible cable	10 x D
Cable diameter D	4.00 mm ±0.10 mm
Cable, bending cycles min.	5 million
Cable, torsion stress	±360°/m
Conductor cross-section	0.34 mm <sup>2</sup>
Number of conductors	3/3
Number of pins	4/5/5
System	Molded/Molded/Molded

### Electrical data

Horizontal travel permitted, drag chain	5 m
Rated current (40 °C)	4.0 A
Vertical travel permitted, drag chain	2 m

### Environmental conditions

Cable temperature, drag chain	-25...60 °C
Cable temperature, fixed routing	-50...90 °C
Cable temperature, flexible routing	-25...90 °C
Protection type IEC 60529	IP67 /IP68/IP68

### Functional safety

Cable temperature UL max., fixed routing	80 °C
--	-------

### General data

Application	Welding area
-------------	--------------

### Material

Material contact carrier	PUR/PUR/PUR
Material contacts	Brass/Bronze/Bronze
Material cover nut	Die-cast zinc/Die-cast zinc/Die-cast zinc
Material grip	PUR/PUR/PUR

### Mechanical data

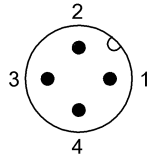
Acceleration max., drag chain	5 m/s <sup>2</sup>
Tightening torque pigtail	0.6 Nm/0.6 Nm/0.6 Nm
Traverse speed max., drag chain	200 m/min

### Remarks

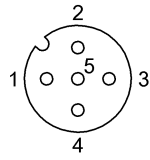
Enclosure rating per IEC 60529, only in screwed state with the associated mating piece.  
Flame resistance per UL FT2  
Cable construction acc. to UL-AWM Style 20549  
Halogen-free per DIN-VDE 0472 Part 815  
Silicone-free

BCC M414-M415-M415-U2032-010  
BCC0C7E

## Connector view



I



II, III

## Wiring Diagram

