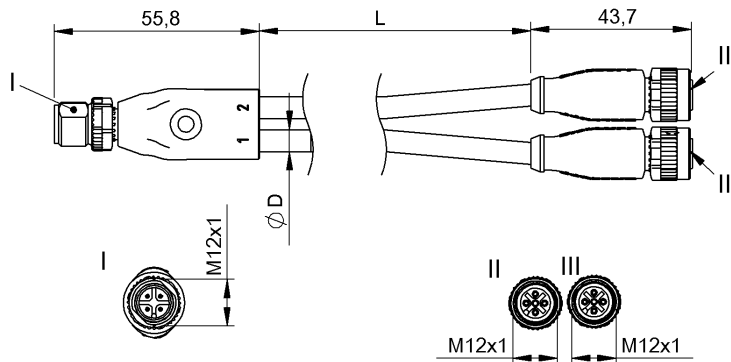


BCC M414-M415-M415-U2002-003
BCC0AL7



Electrical connection

Bending radius min., fixed cable	5 x D
Bending radius min., flexible cable	10 x D
Cable diameter D	5.30 mm ±0.13 mm
Cable, bending cycles min.	10 million
Conductor cross-section	AWG 22
Number of conductors	3/3
Number of pins	4/5/5
System	Molded/Molded/Molded

Electrical data

Cable rated voltage AC max.	300.0 V
Cable rated voltage DC max.	300.0 V
Rated current (40 °C)	4.0 A

Environmental conditions

Cable temperature, fixed routing	-50...105 °C
----------------------------------	--------------

Cable temperature, flexible routing
Protection type IEC 60529

-25...105 °C
IP67 /IP67/IP67

Material

Material contact carrier	PUR/PUR/PUR
Material contacts	Brass/Brass/Brass
Material cover nut	Die-cast zinc/Die-cast zinc/Die-cast zinc
Material grip	TPUself-extinguishing/TPUself-extinguishing/TPUself-extinguishing

Mechanical data

Tightening torque pigtail	0.6 Nm/0.6 Nm/0.6 Nm
---------------------------	----------------------

Remarks

Cable construction acc. to UL-AWM Style 20327
Flame resistance IEC 332-2

Connector view



BCC M414-M415-M415-U2002-003
BCC0AL7

Wiring Diagram

