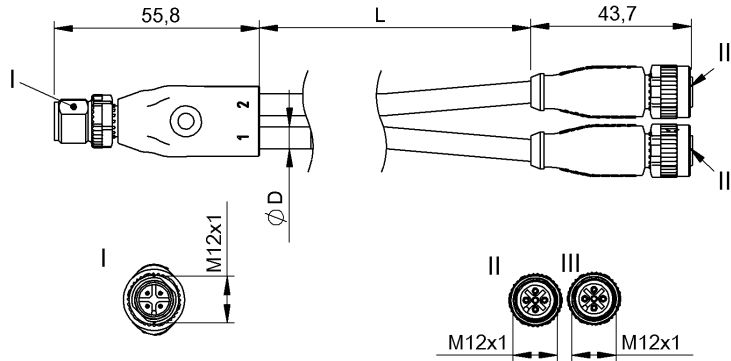


BCC M414-M415-M415-U2010-003
BCC0AL2



Electrical connection

| | |
|-------------------------|----------------------|
| Cable diameter D | 4.70 mm ±0.15 mm |
| Conductor cross-section | AWG 22 |
| Number of conductors | 3/3 |
| Number of pins | 4/5/5 |
| System | Molded/Molded/Molded |

Electrical data

| | |
|-----------------------------|---------|
| Cable rated voltage AC max. | 300.0 V |
| Cable rated voltage DC max. | 300.0 V |
| Rated current (40 °C) | 4.0 A |

Environmental conditions

| | |
|---------------------------|-----------------|
| Protection type IEC 60529 | IP67 /IP67/IP67 |
|---------------------------|-----------------|

Material

| | |
|--------------------------|---|
| Material contact carrier | PUR/PUR/PUR |
| Material contacts | Brass/Brass/Brass |
| Material cover nut | Die-cast zinc/Die-cast zinc/Die-cast zinc |
| Material grip | TPUself-extinguishing/TPUself-extinguishing/TPUself-extinguishing |

Mechanical data

| | |
|---------------------------|----------------------|
| Tightening torque pigtail | 0.6 Nm/0.6 Nm/0.6 Nm |
|---------------------------|----------------------|

Connector view



BCC M414-M415-M415-U2010-003
BCC0AL2

Wiring Diagram

