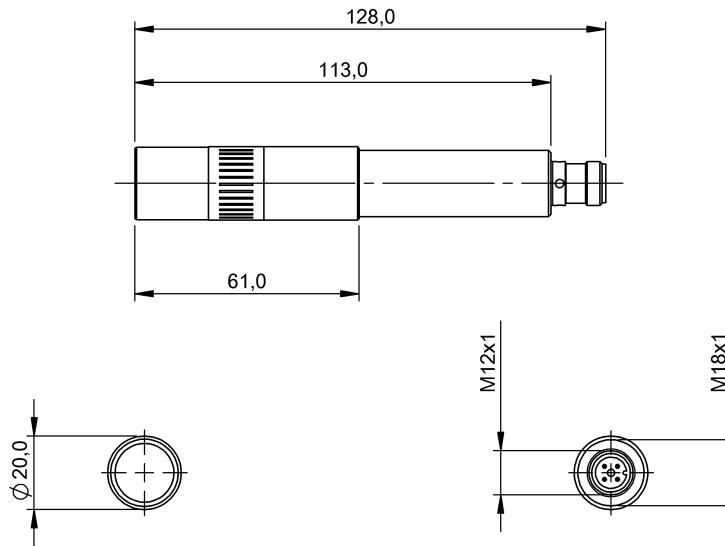


BAE LX-XO-PL018-L6-S4 BAE00N1



Display/Operation

Adjuster	Focus ring
Setting	Focusing distance

Electrical connection

Connection	M12x1-Connector, 4-pole, A-coded
Polarity reversal protected	yes

Electrical data

Current draw max.	110 mA
Focus area	100 mm ... ∞
Operating voltage U_b	5...30 VDC
Output capacity max.	20 mW
Rated insulation voltage U_i	75 V DC
Rated operating voltage U_e DC	24 V

Environmental conditions

Ambient temperature	-10...50 °C
Protection type IEC 60529	IP67

General data

Approval/Conformity	CE
Basic standard	IEC 60947-5-2
Scope of delivery	Laser 2x nut M18x1
Version	Laser Module

Material

Housing material	Brass
Material sensing surface	Glass
Optical head material	Anodized aluminum
Surface protection	chrome plated

Mechanical data

Dimension	Ø 20 x 128 mm
Fastening detail	Nut M18x1

Optical data

Laser class per IEC 60825-1	2M
Light type	Laser Red light
Projection type	11 parallel lines
Wave length	640 nm

Output/Interface

Digital inputs	Trigger
----------------	---------

Range/Distance

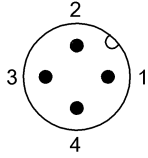
Opening angle min.	30° x 30°
--------------------	-----------

Remarks

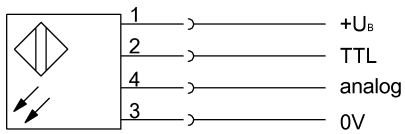
For additional information, refer to user's guide.
Order accessories separately.
Reverse polarity and transient protection / ESD, overheating protection and LED fault indicator

BAE LX-XO-PL018-L6-S4
BAE00N1

Connector view



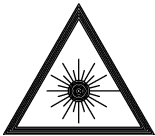
Wiring Diagram



Additional View

Entfernung [mm] Distance [mm]	Liniendicke 1/e ² [μm] Line thickness 1/e ² [μm]
100	77
500	170
1000	320

Warning Symbols



Laser beam! – DO NOT LOOK INTO THE BEAM OR VIEW DIRECTLY WITH OPTICAL INSTRUMENTS!

Laser Class 1M/2M per DIN EN 60825-1