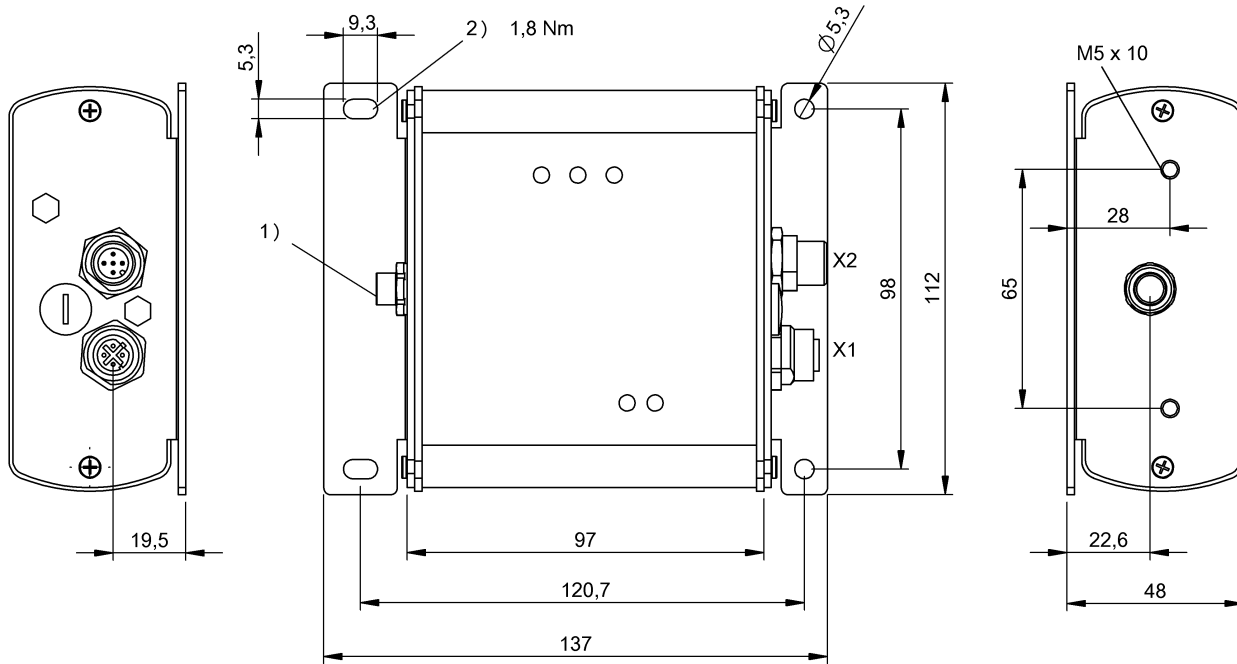


BIS M-626-069-A01-06-ST31 BIS00ZC



1) Antenna



Display/Operation

(BB) Ready	LED green
Custom	LED yellow
Default	LED yellow
RF	LED yellow

Electrical connection

Connection (COM 1)	X1 (Ethernet): M12x1-Female, 4-pole, D-coded
Connection (supply voltage IN)	X2: M12x1-Connector, 5-pole
Connection slots	RCA-Female

Electrical data

Current consumption max. at 24 V DC	500 mA
MTTF (40 °C)	44 a
Operating voltage Ub	12...30 VDC

Environmental conditions

Ambient temperature	-20...50 °C
---------------------	-------------

EN 60068-2-27, Continuous shock load	yes
EN 60068-2-27, Shock	yes
EN 60068-2-6, Vibration	yes
Protection type IEC 60529	IP65 with connector
Storage temperature	-20...70 °C

Functional safety

Diagnostic coverage	0 %
EN 60068-2-32 Free fall	yes
Functional safety	no
Mission Time	0 a

General data

Approval/Conformity	UL-FILE E227256, Vol.X1, BIS CE
EN 55022	Size 1, Cl. A

Material

Housing material	Aluminum
------------------	----------

BIS M-626-069-A01-06-ST31 BIS00ZC

Mechanical data

Application weight	550.00 g
Dimension	112 x 48 x 137 mm

Output/Interface

Interface	Industrial Ethernet/Ethernet TCP/IP/MODBUS TCP
-----------	---

Range/Distance

Residual ripple max.	10 %
----------------------	------

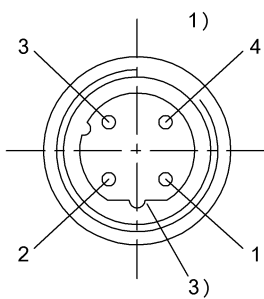
Remarks

Values are under rated conditions unless otherwise specified.
Only for data carriers acc. to ISO 15693 and ISO 14443A.

For further information on MTTF/B10d, please refer to the MTTF / B10d Certificate.

Specification of the MTTF value and the B10d value do not represent any binding quality and/or life expectancy guarantees.

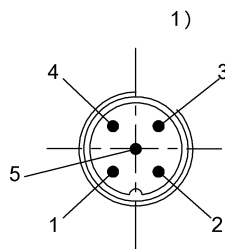
Connector view



X1

2)	
1	TX+
2	RX+
3	TX-
4	RX-

1) View towards connector 2) n Female 4-pin/
Function 3) Coding D



X2

2)	
1	n.c.
2	VDC
3	GND
4	n.c.
5	n.c.

1) View towards connector 2) Connector 5-pin/
Function