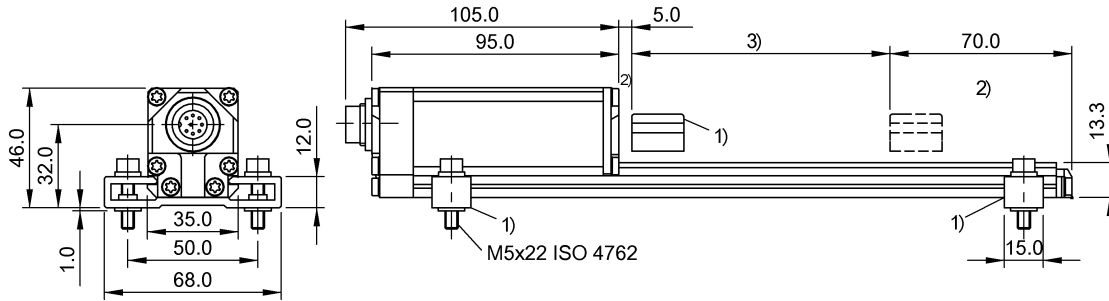


## BTL5-A11-M0762-R-S32 BTL080H



1) not included in scope of delivery 2) Non-usable area 3) Nominal length = Measuring length



### Display/Operation

Error signal U <sub>a</sub> falling	≤ -1 V
Error signal U <sub>a</sub> rising	≥ 11 V

### Electrical connection

Connection version	axial
Polarity reversal protected	yes

### Electrical data

Current consumption max. at 24 V DC	150 mA
Galvanic isolation	no
Inrush current	≤ 3 A/0.5 ms
MTTF (40 °C)	89 a
Operating voltage U <sub>b</sub>	20...28 VDC
Oversvoltage protection	yes
Voltage-proof up to (GND to housing)	500 V DC

### Environmental conditions

Ambient temperature	-40...85 °C
EN 55016-2-3, Radiation	Industrial areas
EN 60068-2-27, Continuous shock	100 g, 2 ms
EN 60068-2-27, Shock	100 g, 6 ms
EN 60068-2-6, Vibration	12 g, 10...2000 Hz
EN 61000-4-2, ESD	Severity Level 3
EN 61000-4-3, RFI	Severity Level 3
EN 61000-4-4, Burst	Severity Level 3
EN 61000-4-5, Surge	Severity Level 2
EN 61000-4-6, High-frequency fields	Severity Level 3
EN 61000-4-8, Magnetic fields	Severity Level 4

Protection type IEC 60529

Relative humidity

Storage temperature

IP67 with connector

≤ 90 %, non-condensing

-40...100 °C

### Functional safety

Functional safety	no
-------------------	----

### General data

Approval/Conformity	CE
---------------------	----

### Material

Housing material	Aluminum
Housing material, surface protection	anodized

### Mechanical data

Fastening detail	Mounting clamps
Null point	5.0 mm

### Range/Distance

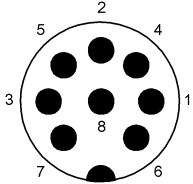
Non-linearity max.	±0.02 %FS
Repeat accuracy	≤0.1 mV
Reproducibility	≤4 μm
Resolution	≤ 0.1 mV
Sampling rate, length-dependent	1 kHz, standard

For further information on MTTF/B10d, please refer to the MTTF / B10d Certificate.

Specification of the MTTF value and the B10d value do not represent any binding quality and/or life expectancy guarantees.

BTL5-A11-M0762-R-S32  
BTL080H

## Connector view



## Wiring Diagram

Pin	
1	NC
2	GND output
3	10...0 V
4	NC
5	0...10 V
6	GND
7	+24 V DC
8	NC