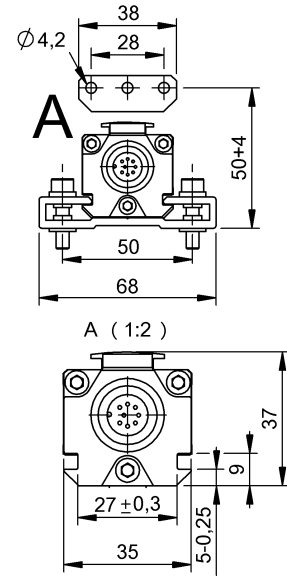
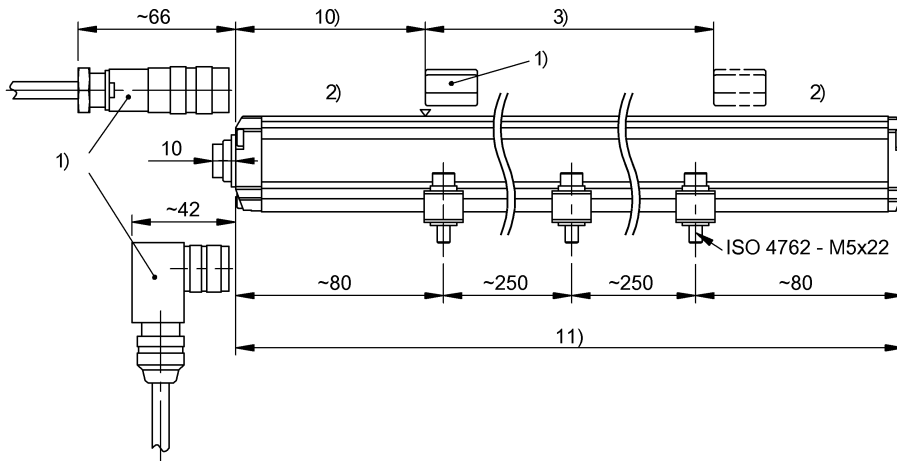


BTL5-A11-M1016-P-S32/US BTL02UT



1) not included in scope of delivery 2) Non-usable area 3) Nominal length = Measuring length 10) Null point 11) Installation length



Display/Operation

| | |
|-------------------------|--------|
| Error signal Ua falling | ≤ -1 V |
| Error signal Ua rising | ≥ 11 V |

Electrical connection

| | |
|-----------------------------|-------|
| Connection version | axial |
| Polarity reversal protected | yes |

Electrical data

| | |
|--------------------------------------|--------------|
| Current consumption max. at 24 V DC | 150 mA |
| Galvanic isolation | no |
| Inrush current | ≤ 3 A/0.5 ms |
| MTTF (40 °C) | 93 a |
| Operating voltage Ub | 20...28 VDC |
| Output current max. | 5 mA |
| Output signal adjustable | no |
| Overvoltage protection | yes |
| Voltage-proof up to (GND to housing) | 500 V DC |

Environmental conditions

| | |
|-------------------------------------|--------------------|
| Ambient temperature | -40...85 °C |
| EN 55016-2-3, Radiation | Industrial areas |
| EN 60068-2-27, Continuous shock | 100 g, 2 ms |
| EN 60068-2-27, Shock | 100 g, 6 ms |
| EN 60068-2-6, Vibration | 12 g, 10...2000 Hz |
| EN 61000-4-2, ESD | Severity Level 3 |
| EN 61000-4-3, RFI | Severity Level 3 |
| EN 61000-4-4, Burst | Severity Level 3 |
| EN 61000-4-5, Surge | Severity Level 2 |
| EN 61000-4-6, High-frequency fields | Severity Level 3 |

EN 61000-4-8, Magnetic fields
Protection type IEC 60529
Relative humidity
Storage temperature

Severity Level 4
IP67 with connector
≤ 90 %, non-condensing
-40...100 °C

Functional safety

| | |
|-------------------|----|
| Functional safety | no |
|-------------------|----|

General data

| | |
|-----------------------------------|----------------------|
| Approval/Conformity | CE cULus |
| Base type | BTL5-A11-M....-P-S32 |
| Base type deviation | contains US-Manual |
| Magnets, number (factory setting) | 1 |
| Position encoders, number max. | 1 |

Material

| | |
|--------------------------------------|-----------------------------------|
| Cover material | Aluminum |
| Cover material, note | Die-cast, nickel plated |
| Housing material | Aluminum |
| Housing material, surface protection | anodized |
| Material cover | Aluminum, Die-cast, nickel plated |

Mechanical data

| | |
|---------------------|-----------------|
| Fastening detail | Mounting clamps |
| Installation length | 1162 mm |
| Null point | 73.0 mm |

BTL5-A11-M1016-P-S32/US BTL02UT

Range/Distance

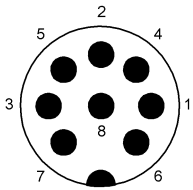
| | |
|--------------------|-----------|
| Measuring length | 1016 mm |
| Non-linearity max. | ±0.02 %FS |
| Repeat accuracy | ≤0.1 mV |
| Reproducibility | ≤4 μm |

| | |
|---------------------------------|-----------------|
| Resolution | ≤ 0.1 mV |
| Ripple Ua max. | 5 mV |
| Sampling rate, length-dependent | 1 kHz, standard |

For further information on MTTF/B10d, please refer to the MTTF / B10d Certificate.

Specification of the MTTF value and the B10d value do not represent any binding quality and/or life expectancy guarantees.

Connector view



Wiring Diagram

| Pin | |
|-----|------------|
| 1 | NC |
| 2 | GND output |
| 3 | 10...0 V |
| 4 | NC |
| 5 | 0...10 V |
| 6 | GND |
| 7 | +24 V DC |
| 8 | NC |