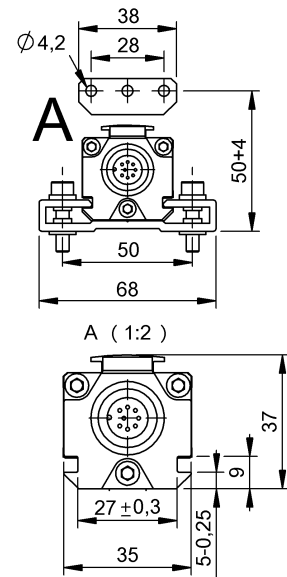
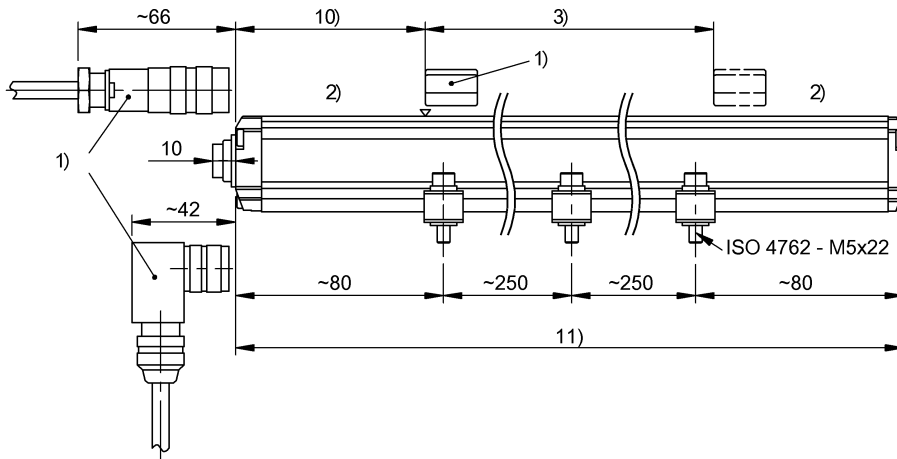


## BTL5-A11-M0305-P-S32/US BTL02R1



1) not included in scope of delivery 2) Non-usable area 3) Nominal length = Measuring length 10) Null point 11) Installation length



### Display/Operation

Error signal Ua falling	≤ -1 V
Error signal Ua rising	≥ 11 V

### Electrical connection

Connection version	axial
Polarity reversal protected	yes

### Electrical data

Current consumption max. at 24 V DC	150 mA
Galvanic isolation	no
Inrush current	≤ 3 A/0.5 ms
MTTF (40 °C)	93 a
Operating voltage Ub	20...28 VDC
Output current max.	5 mA
Output signal adjustable	no
Overvoltage protection	yes
Voltage-proof up to (GND to housing)	500 V DC

### Environmental conditions

Ambient temperature	-40...85 °C
EN 55016-2-3, Radiation	Industrial areas
EN 60068-2-27, Continuous shock	100 g, 2 ms
EN 60068-2-27, Shock	100 g, 6 ms
EN 60068-2-6, Vibration	12 g, 10...2000 Hz
EN 61000-4-2, ESD	Severity Level 3
EN 61000-4-3, RFI	Severity Level 3
EN 61000-4-4, Burst	Severity Level 3
EN 61000-4-5, Surge	Severity Level 2
EN 61000-4-6, High-frequency fields	Severity Level 3

EN 61000-4-8, Magnetic fields  
Protection type IEC 60529  
Relative humidity  
Storage temperature

Severity Level 4  
IP67 with connector  
≤ 90 %, non-condensing  
-40...100 °C

### Functional safety

Functional safety	no
-------------------	----

### General data

Approval/Conformity	CE cULus
Base type	BTL5-A11-M....-P-S32
Magnets, number (factory setting)	1
Position encoders, number max.	1

### Material

Cover material	Aluminum
Cover material, note	Die-cast, nickel plated
Housing material	Aluminum
Housing material, surface protection	anodized
Material cover	Aluminum, Die-cast, nickel plated

### Mechanical data

Fastening detail	Mounting clamps
Installation length	451 mm
Null point	73.0 mm

### Range/Distance

Measuring length	305 mm
------------------	--------

## BTL5-A11-M0305-P-S32/US BTL02R1

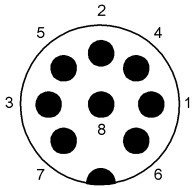
Non-linearity max.  $\pm 100 \mu\text{m}$   
Repeat accuracy  $\leq 0.1 \text{ mV}$   
Reproducibility  $\leq 4 \mu\text{m}$   
Resolution  $\leq 0.1 \text{ mV}$   
Ripple  $U_a$  max.  $5 \text{ mV}$

Sampling rate, length-dependent 1 kHz, standard

For further information on MTTF/B10d, please refer to the MTTF / B10d Certificate.

Specification of the MTTF value and the B10d value do not represent any binding quality and/or life expectancy guarantees.

### Connector view



### Wiring Diagram

Pin	
1	NC
2	GND output
3	10...0 V
4	NC
5	0...10 V
6	GND
7	+24 V DC
8	NC