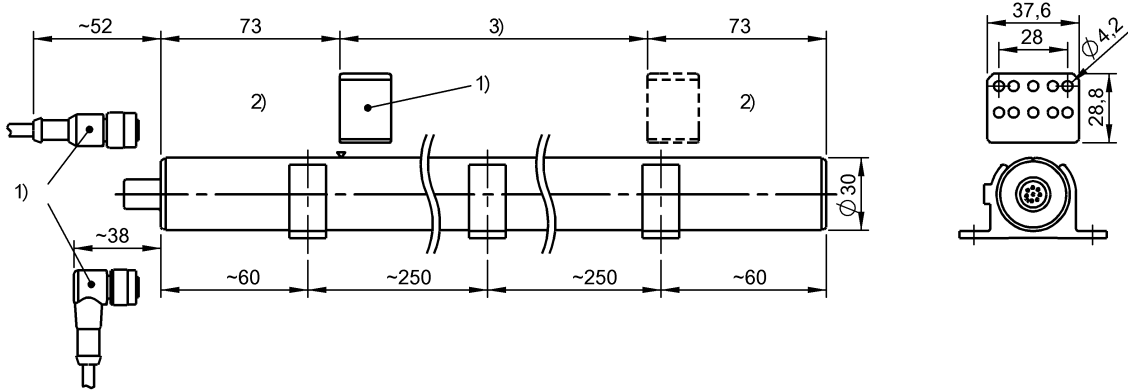


## BTL6-P111-M0300-A1-S115 BTL00E6



1) not included in scope of delivery 2) Non-usable area 3) Nominal length = Measuring length



### Electrical connection

Connection version	axial
Polarity reversal protected	to 36 V

### Electrical data

Current consumption max. at 24 V DC	90 mA
Galvanic isolation	no
Inrush current	≤ 3 A/0.5 ms
MTTF (40 °C)	135 a
Operating voltage $U_b$	20...28 VDC
Output signal adjustable	no
Overvoltage protection	yes
Voltage-proof up to (GND to housing)	500 V DC

### Environmental conditions

Ambient temperature	0...70 °C
EN 55016-2-3, Radiation	For industrial and residential use
EN 60068-2-27, Continuous shock	50 g, 2 ms
EN 60068-2-27, Shock	50 g, 6 ms
EN 60068-2-6, Vibration	12 g, 10...2000 Hz
EN 61000-4-2, ESD	Severity Level 3
EN 61000-4-3, RFI	Severity Level 3
EN 61000-4-4, Burst	Severity Level 3
EN 61000-4-5, Surge	Severity Level 2
EN 61000-4-6, High-frequency fields	Severity Level 3
EN 61000-4-8, Magnetic fields	Severity Level 4
Protection type IEC 60529	IP67 with connector
Relative humidity	≤ 90 %, non-condensing
Storage temperature	-40...100 °C

### Functional safety

Functional safety	no
-------------------	----

### General data

Approval/Conformity	CE cULus
Position encoders, number max.	4

### Material

Cover material	Zinc
Cover material, note	Die casting
Housing material	Aluminum
Housing material, surface protection	anodized
Material cover	Zinc, Die casting

### Mechanical data

Distance min. between magnets	65 mm
Fastening detail	Mounting clamps
Null point	73.0 mm
Profile diameter	30.0 mm

### Output/Interface

Active flank	Rising/falling
DPI/IP protocol	yes
Interface	Start/Stop Start/Stop neg.

## BTL6-P111-M0300-A1-S115 BTL00E6

### Range/Distance

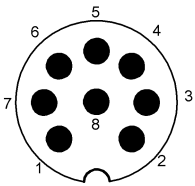
Measuring length	300 mm
Non-linearity max.	±200 µm
Repeat accuracy	≤10 µm
Reproducibility	≤10 µm

Resolution ≤ 10 µm  
Sampling rate max. 2.000 kHz

For further information on MTTF/B10d, please refer to the MTTF / B10d Certificate.

Specification of the MTTF value and the B10d value do not represent any binding quality and/or life expectancy guarantees.

### Connector view



### Wiring Diagram

Pin	
1	INIT
2	START/STOP
3	$\overline{\text{INIT}}$
4	NC
5	START/STOP
6	GND
7	+24 V DC
8	NC