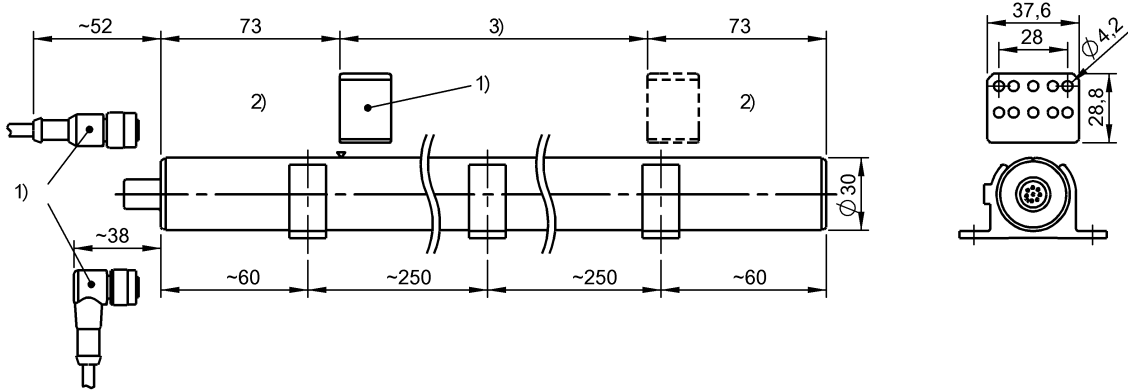


BTL6-A110-M0200-A1-S115 BTL0029



1) not included in scope of delivery 2) Non-usable area 3) Nominal length = Measuring length



Display/Operation

Error signal Ua falling	≥ 10.2 V
Error signal Ua rising	≥ 10.2 V

Electrical connection

Connection version	axial
Polarity reversal protected	to 36 V

Electrical data

Current consumption max. at 24 V DC	70 mA
Galvanic isolation	no
Inrush current	≤ 3 A/0.5 ms
MTTF (40 °C)	84 a
Operating voltage Ub	20...28 VDC
Output current max.	5 mA
Output signal adjustable	no
Overvoltage protection	yes
Voltage-proof up to (GND to housing)	500 V DC

Environmental conditions

Ambient temperature	0...70 °C
EN 55016-2-3, Radiation	For industrial and residential use
EN 60068-2-27, Continuous shock	50 g, 2 ms
EN 60068-2-27, Shock	50 g, 6 ms
EN 60068-2-6, Vibration	12 g, 10...2000 Hz
EN 61000-4-2, ESD	Severity Level 3
EN 61000-4-3, RFI	Severity Level 3
EN 61000-4-4, Burst	Severity Level 3
EN 61000-4-5, Surge	Severity Level 2

EN 61000-4-6, High-frequency fields

EN 61000-4-8, Magnetic fields

Protection type IEC 60529

Relative humidity

Storage temperature

Severity Level 3

Severity Level 4

IP67 with connector

≤ 90 %, non-condensing

-40...100 °C

Functional safety

Functional safety	no
-------------------	----

General data

Approval/Conformity	CE cULus
Magnets, number (factory setting)	1
Position encoders, number max.	1

Material

Cover material	Zinc
Cover material, note	Die casting
Housing material	Aluminum
Housing material, surface protection	anodized
Material cover	Zinc, Die casting

Mechanical data

Fastening detail	Mounting clamps
Installation length	346 mm
Null point	73.0 mm
Profile diameter	30.0 mm

Range/Distance

Measuring length	200 mm
------------------	--------

BTL6-A110-M0200-A1-S115 BTL0029

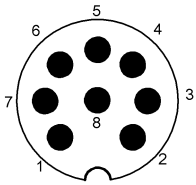
Non-linearity max.	±200 µm
Repeat accuracy	≤10 µm
Reproducibility	≤10 µm
Resolution	≤10 µm
Ripple Ua max.	5 mV

Sampling rate, length-dependent 1 kHz, standard

For further information on MTTF/B10d, please refer to the MTTF / B10d Certificate.

Specification of the MTTF value and the B10d value do not represent any binding quality and/or life expectancy guarantees.

Connector view



Wiring Diagram

Pin	
1	GND output
2	GND output
3	10...0 V
4	NC
5	0...10 V
6	GND
7	+24 V DC
8	NC