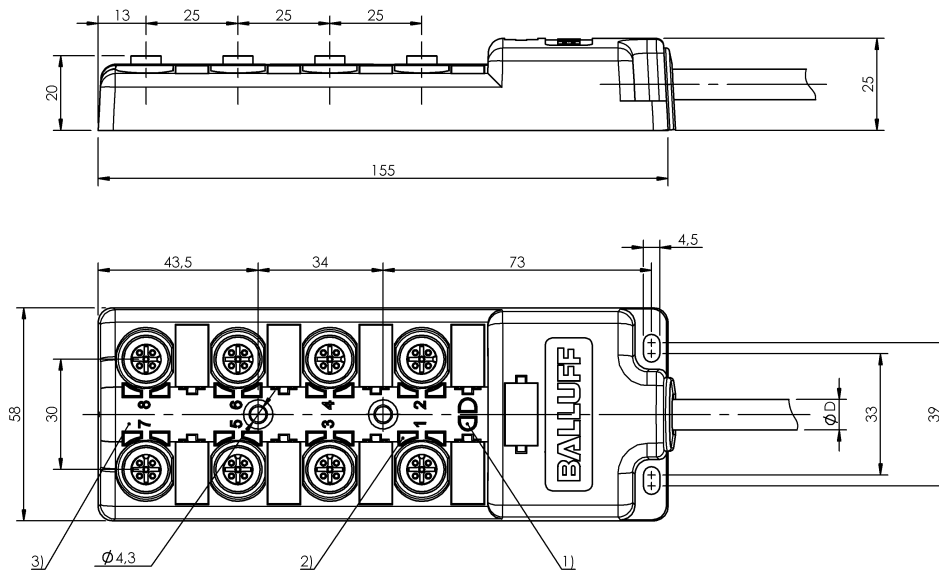


BPI 8M4A4P-2K-B0-KPXB0-050 BPI0091



1) Power green 2) LED yellow for Signal 1 (NO) 3) Slot numbering

Display/Operation

Power indicator	LED green
Switching function display	8x LED yellow

Electrical connection

Bending radius min., flexible cable	10 x D
Cable diameter D	8.60 mm ±0.3 mm
Cable, bending cycles min.	2 million
Conductor cross-section	0.34 mm ² + 1.0 mm ²
Number of conductors	11

Electrical data

Isolation resistance	≥ 10 GOhm
Operating voltage U _b	10...30 VDC
Output current max.	4 A
Rated operating voltage U _e DC	24 V
Total current max.	8 A

Environmental conditions

Cable temperatur, drag chain	-5...60 °C
Cable temperature, fixed routing	-25...80 °C
Cable temperature, flexible routing	-5...80 °C
Protection type IEC 60529	IP67 when threaded in

General data

Scope of delivery	Part labels (24x) Cover cap (4x)
-------------------	-------------------------------------

Material

Housing material	PBT, GF
Material contact carrier	PBT
Material contacts	Bronze (CuSn6), nickel layer

Mechanical data

Casting	yes
Dimension	155 x 58 x 25 mm
Fastening detail	M4 (4x)
Tightening torque	1.2 Nm ±0.2 (M4)
Tightening torque pigtail	0.6 Nm + 0.1 Nm (M12 connector)

Output/Interface

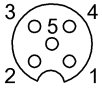
Switching output	PNP Normally open (NO)
------------------	------------------------

Remarks

Cable construction acc. to UL-AWM Style 21198/10493
Cable jacket PUR polyetherurethane DIN VDE 0250, Part 818
Cable flame resistant per DIN VDE 0472, Part 804
Cable material halogen-free

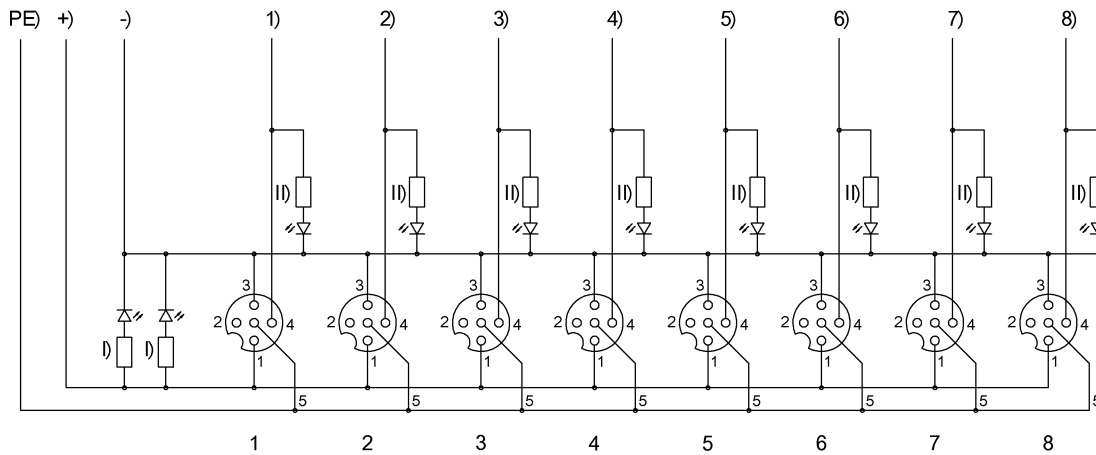
BPI 8M4A4P-2K-B0-KPXB0-050
BPI0091

Connector view



I/O ports PIN 1: +24V PIN 3: 0V PIN 4: Normally open PIN 5: PE

Wiring Diagram



-) blue 1.00 mm²+) brown 1.00 mm²) LED green)) LED yellowPE) green/yellow 1.0 mm²)1) white2) green3) yellow4) gray5) pink6) red7) black8) violet