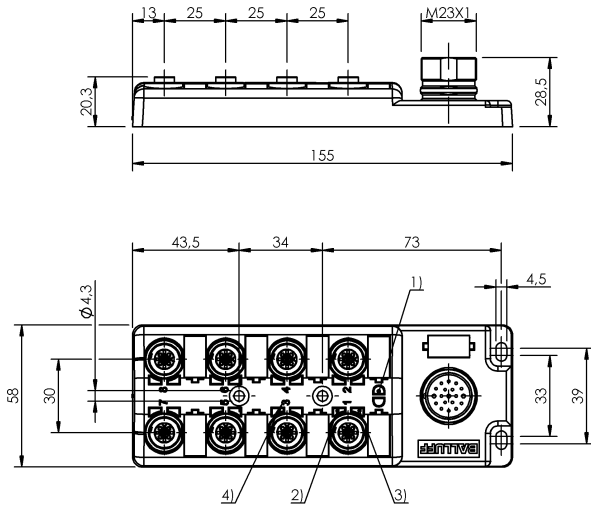


BPI 8M4A5P-2K-B0-SM6LT BPI008T



1) Power green 2) LED yellow for Signal 1 (NO) 3) LED yellow for Signal 2 (NC) 4) Slot numbering

Display/Operation

Power indicator	LED green
Switching function display	16x LED yellow

Electrical data

Isolation resistance	≥ 10 GOhm
Operating voltage U_b	10...30 VDC
Output current max.	4 A
Rated operating voltage U_e DC	24 V
Total current max.	8 A

Environmental conditions

Ambient temperature	-25...80 °C
Protection type IEC 60529	IP67 when threaded in

General data

Scope of delivery	Part labels (24x) Cover cap (4x)
-------------------	-------------------------------------

Material

Housing material	PBT, GF
Material contact carrier	PBT
Material contacts	Bronze (CuSn6), nickel layer

Mechanical data

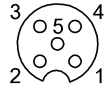
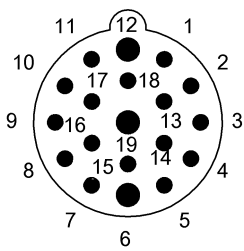
Casting	yes
Dimension	155 x 58 x 28.5 mm
Fastening detail	M4 (4x)
Tightening torque	1.2 Nm ±0.2 (M4)
Tightening torque pigtail	0.6 Nm + 0.1 Nm (M12 connector)

Output/Interface

Switching output	PNP Normally open/Normally closed (NO/NC)
------------------	---

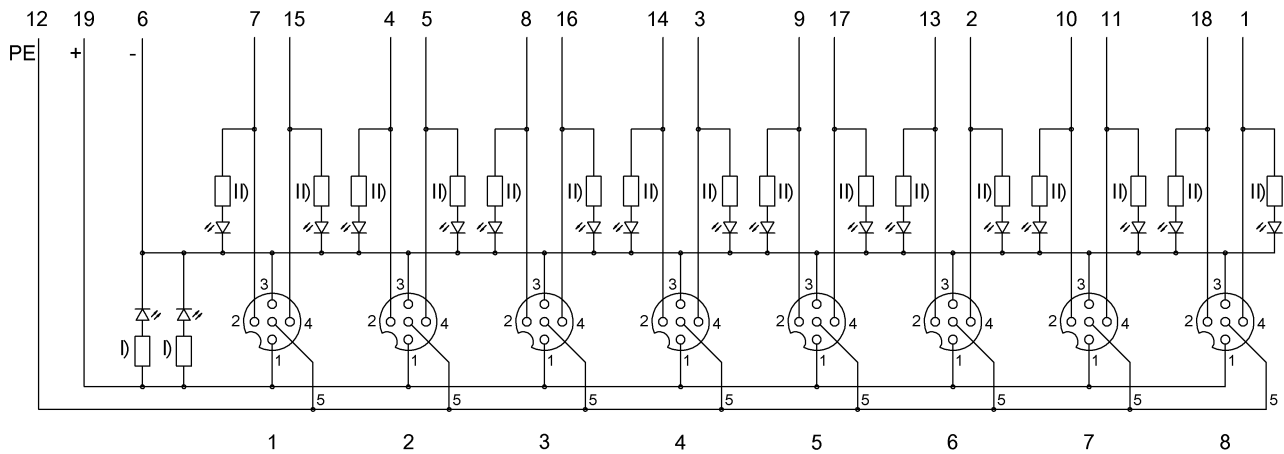
BPI 8M4A5P-2K-B0-SM6LT BPI008T

Connector view



I/O ports PIN 1: +24V PIN 2: Normally closed PIN
3: 0V PIN 4: Normally open PIN 5: PE

Wiring Diagram



I) LED green II) LED yellow