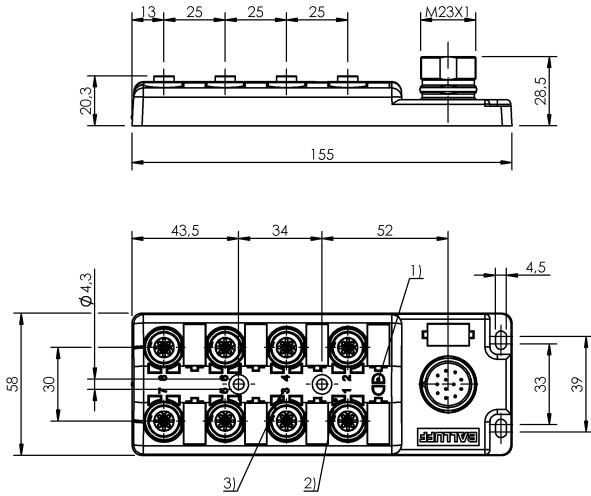


BPI 8M4A4P-2K-B0-SM6CT BPI008P



1) Power green 2) LED yellow for Signal 1 (NO) 3) Slot numbering

Display/Operation

Power indicator	LED green
Switching function display	8x LED yellow

Electrical data

Isolation resistance	$\geq 10 \text{ GOhm}$
Operating voltage U_b	10...30 VDC
Output current max.	4 A
Rated operating voltage $U_e \text{ DC}$	24 V
Total current max.	8 A

Environmental conditions

Ambient temperature	-25...80 °C
Protection type IEC 60529	IP67 when threaded in

General data

Scope of delivery	Part labels (24x) Cover cap (4x)
-------------------	-------------------------------------

Material

Housing material	PBT, GF
Material contact carrier	PBT
Material contacts	Bronze (CuSn6), nickel layer

Mechanical data

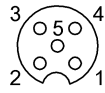
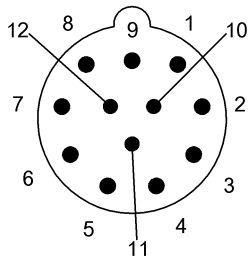
Casting	yes
Dimension	155 x 58 x 28.5 mm
Fastening detail	M4 (4x)
Tightening torque	1.2 Nm ± 0.2 (M4)
Tightening torque pigtail	0.6 Nm + 0.1 Nm (M12 connector)

Output/Interface

Switching output	PNP Normally open (NO)
------------------	------------------------

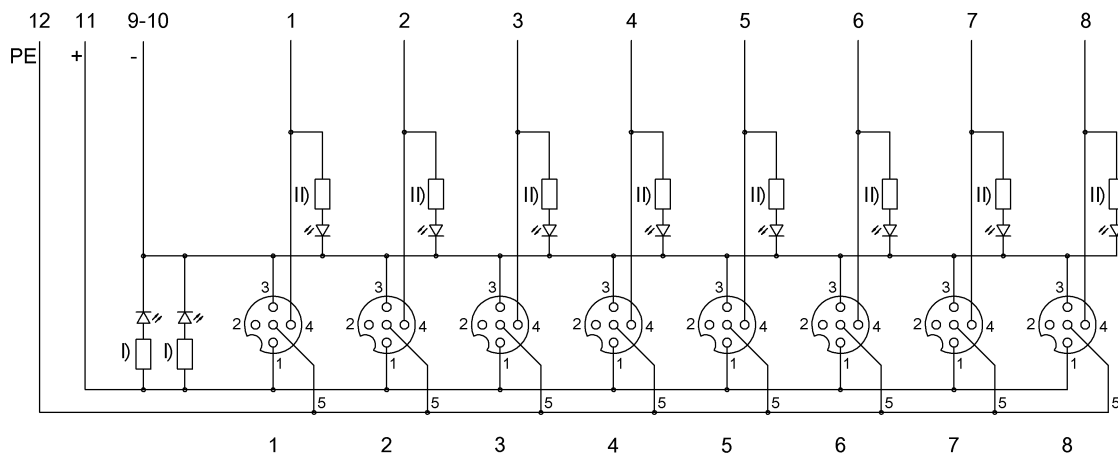
BPI 8M4A4P-2K-B0-SM6CT BPI008P

Connector view



I/O ports PIN 1: +24V PIN 3: 0V PIN 4: Normally open PIN 5: PE

Wiring Diagram



I) LED green II) LED yellow