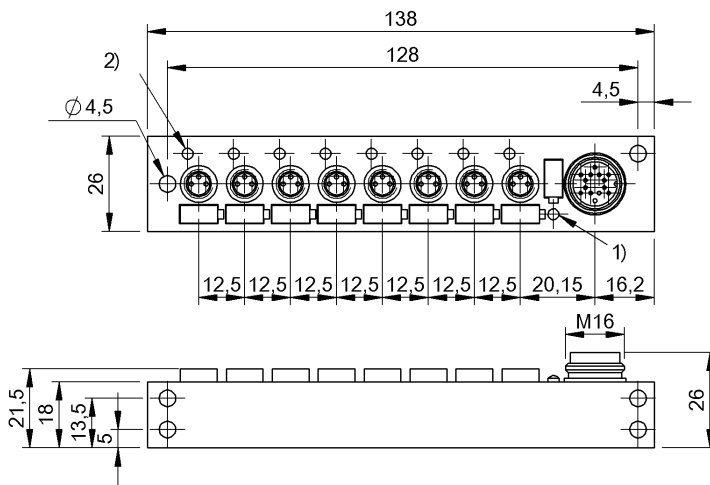


C49 T8E-16 BPI0024



1) LED function indicator 2) LED yellow for Signal 2 (NC)

Electrical data

Operating voltage U_b	10...30 VDC
Output current max.	2 A
Total current max.	6 A

Environmental conditions

Protection type IEC 60529	IP68
---------------------------	------

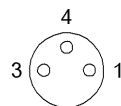
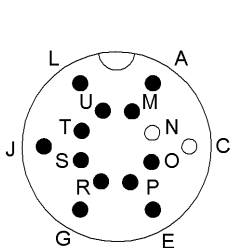
Material

Housing material	PBT
------------------	-----

Mechanical data

Casting	yes
Dimension	88 x 21.5 x 26 mm
Fastening detail	M4 (2x)
Tightening torque	1.2 Nm \pm 0.2 (M4)
Tightening torque pigtail	0.4 Nm + 0.1 Nm (M8 connector)

Connector view

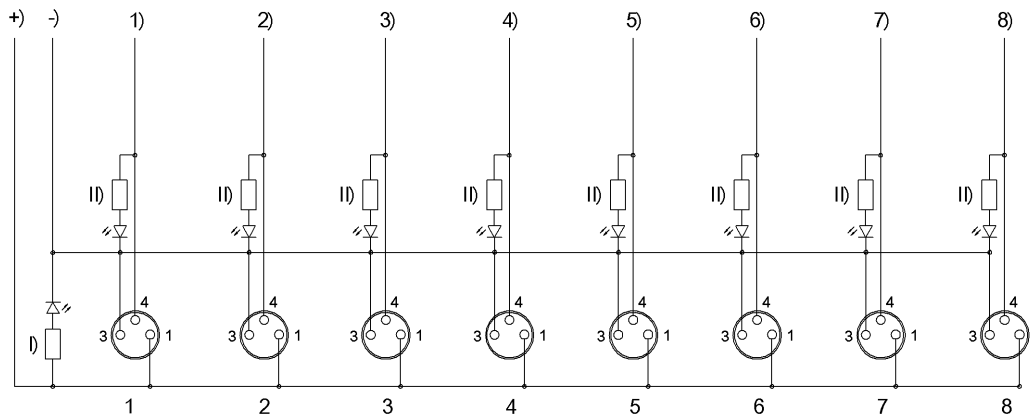


PIN 1: +24V PIN 3: 0V PIN 4: Input/Output 1

PIN C: n.c. PIN N: n.c.

C49 T8E-16
BPI0024

Wiring Diagram



-) I, U+) A, MI) LED greenII) LED yellow1) P2) J3) T4) S5) G6) R7) E8) O