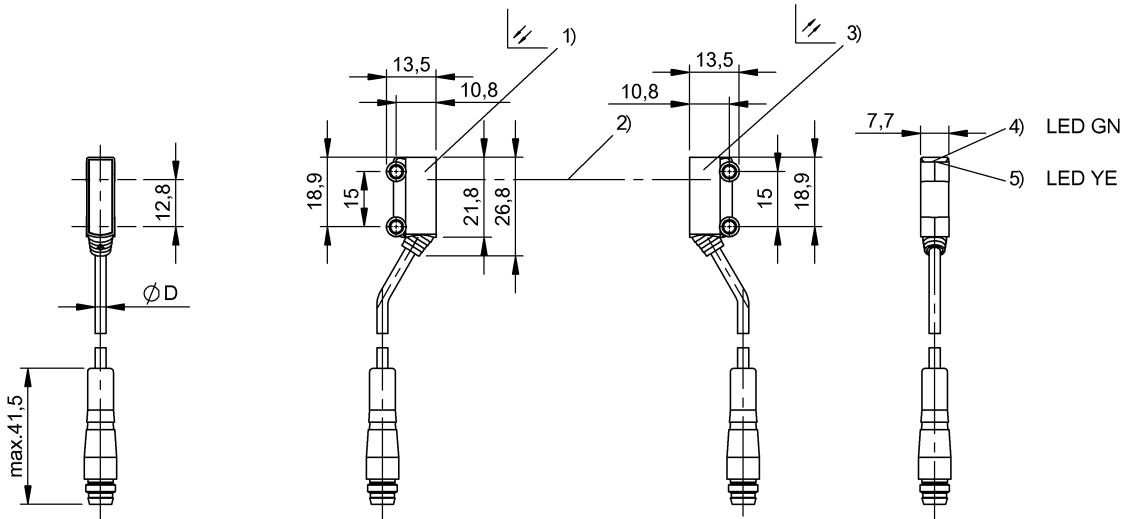


BOS R020K-PS-RX11-00,2-S49 BOS0214



1) Emitter 2) Optical axis 3) Receiver 4) Operating voltage 5) Output function



Electrical connection

Cable diameter D	2.40 mm
Cable length	0.2 m
Connection	M8x1-Connector, 3-pole
Connection type	Cable with connector, 0.20 m, PVC
Polarity reversal protected	yes
Short-circuit protection	yes

Electrical data

MTTF (40 °C)	2659 a
Operating voltage U_b	10...30 VDC
Protected against miswiring	yes
Rated operating current I_e DC	100 mA
Rated operating voltage U_e DC	24 V
Ready delay t_v max.	100 ms
Switching frequency	800 Hz
Turn-off delay t_{off} max.	0.63 ms
Turn-on delay t_{on} max.	0.63 ms
Voltage drop U_d max. at I_e	2 V

Environmental conditions

Ambient temperature	-25...55 °C
Protection type IEC 60529	IP67

Functional safety

Functional safety	no
-------------------	----

General data

Approval/Conformity	cULus CE
Basic standard	IEC 60947-5-2
Series	R020K
Style	Square Connection 60°

Material

Housing material	PC PBT
Material jacket	PVC
Material sensing surface	PMMA

BOS R020K-PS-RX11-00,2-S49 BOS0214

Mechanical data

Dimension	7.7 x 26.8 x 13.5 mm
Fastening detail	Screw M3

Optical data

Ambient light max.	5000 Lux
Light type	LED Red light
Principle of optical operation	Through-beam sensor
Wave length	660 nm

Output/Interface

Switching output	PNP Normally open (NO)
------------------	------------------------

Range/Distance

Measuring range	0...2 m
Range	0...2 m
Rated operating distance S_n	2 m
Ripple max. (% of U_e)	10 %

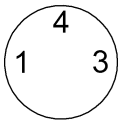
Remarks

Actuation object (target): gray card, 200 x 200, lateral approach
For additional information, refer to user's guide.
Order accessories separately.

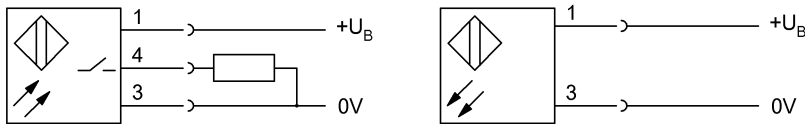
For further information on MTTF/B10d, please refer to the MTTF / B10d Certificate.

Specification of the MTTF value and the B10d value do not represent any binding quality and/or life expectancy guarantees.

Connector view



Wiring Diagram



Symbols for Optoelectronic Sensors

