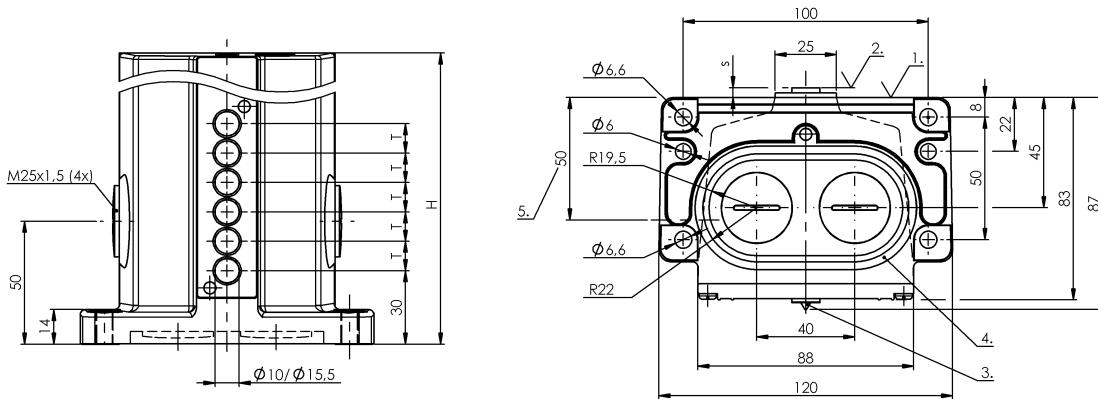


BNS 816-B05-WS-12-602-11-S90L BNS0428



1) Reference edge 2) Sensing surface 3) Function indicator FD/FE/LL 4) Sealing ring 5) Cable passage



Display/Operation

Function indicator	1-5. Switch position: Optical fiber
--------------------	-------------------------------------

Electrical data

Connector, order code	BKS-S 90-G-PU-__ (straight, cable)
Continuous current	1-5. Switch position: 0.1 A
Operating voltage U_b AC	1.-5. Switch position: 35.0... 250.0 V
Rated operating voltage U_e	1-5. Switch position: 110 VAC

Environmental conditions

Ambient temperature	-25...70 °C
Protection type IEC 60529	IP67

General data

Approval/Conformity	cULus CE
DIN switch	DIN 43697

Operating principle
Version

1-5. Switch position: inductive
Inductive

Material

Housing material	Aluminum
Surface protection	anodized

Mechanical data

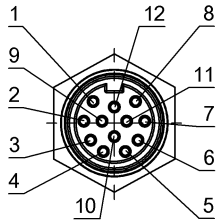
Dimension	120 x 105 x 87 mm
Distance cam - active surface	1-5. Switch position: 0...1.62 mm
Flange, feed-through	2 threaded exit M25
Installation	Vertical
Plunger spacing 1st switch position	30 mm
Switching element	1-5. Switch position: BES 517-410

Range/Distance

Assured operating distance S_a	1-5. Switch position: 1.6 mm
Range	2 mm
Rated operating distance S_n	1-5. Switch position: 2.0 mm
Switch position spacing	12 mm

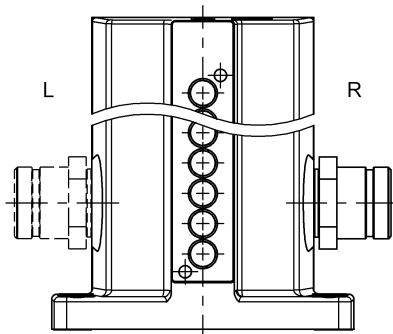
BNS 816-B05-WS-12-602-11-S90L
BNS0428

Connector view



View of connector side

Wiring Diagram



Stecker R oder L
Connector R or L

Schaltelemente
Switch elements

