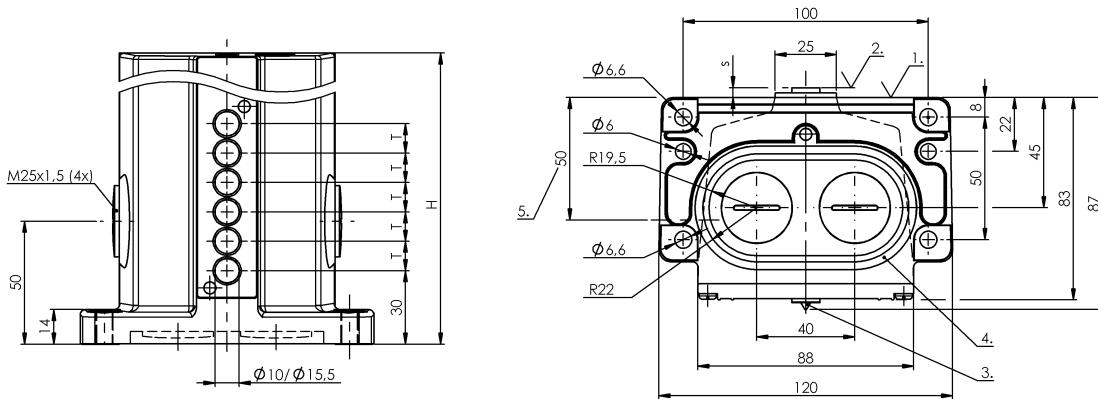


BNS 816-B05-EJA-16-602-11
BNS039W



1) Reference edge 2) Sensing surface 3) Function indicator FD/FE/LL 4) Sealing ring 5) Cable passage



Display/Operation

Function indicator 1-5. Switch position: Optical fiber

Electrical connection

Connection type 1-5. Switch position: Screw terminal

Electrical data

Continuous current 1-5. Switch position: 0.1 A
 Operating voltage U_b AC 1-5. Switch position: 90.0...250.0 V
 Rated operating voltage U_e 1-5. Switch position: 220 VAC

Environmental conditions

Ambient temperature -25...70 °C
 Protection type IEC 60529 IP67

General data

Approval/Conformity CE
 cULus

DIN switch
 Operating principle
 Version

DIN 43697
 1-5. Switch position: inductive
 Inductive

Material

Housing material Aluminum
 Surface protection anodized

Mechanical data

Dimension 120 x 120 x 87 mm
 Distance cam - active surface 1-5. Switch position: 0...4.05 mm
 Flange, feed-through 2 threaded exit M25
 Installation Vertical
 Plunger spacing 1st switch position 30 mm
 Switching element 1-5. Switch position: BES 517-463

Range/Distance

Assured operating distance S_a 1-5. Switch position: 4 mm
 Range 5 mm
 Rated operating distance S_n 1-5. Switch position: 5.0 mm
 Switch position spacing 16 mm