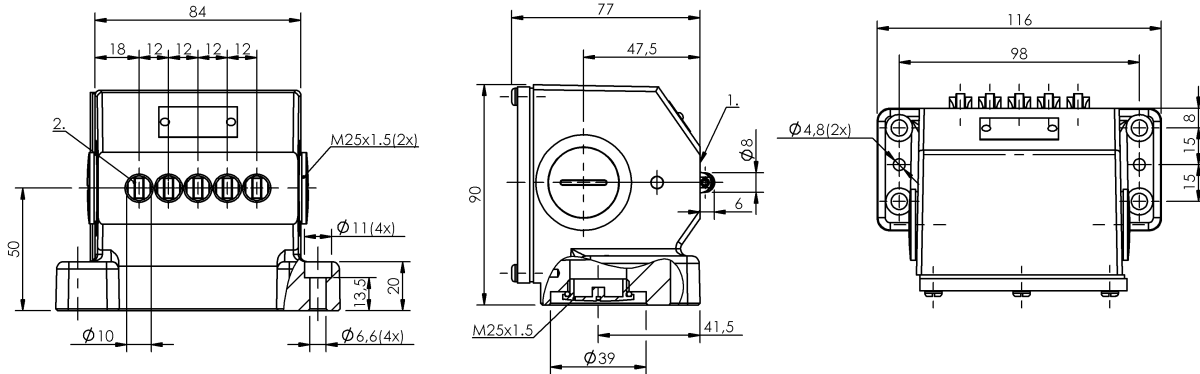


## BNS 819-B05-L12-72-10 BNS025L



1) Reference edge 2) 1st pos.



### Display/Operation

Function indicator 1-5. Switch position: None

### Electrical connection

Connection type 1-5. Switch position: Screw terminal  
Connector configuration undefined

### Electrical data

Continuous current 1-5. Switch position: 6 A  
Rated operating voltage  $U_e$  1-5. Switch position: 250 VAC  
Switching function mechanical Double-interrupting galvanically isolated One NO and one NC Dual changeover  
Switching rate 1-5. Switch position: 300/min

### Environmental conditions

Ambient temperature -5...85 °C  
Protection type IEC 60529 IP67

### Functional safety

B10d BSE 30.0: 30 mil. switching cycles  
Diagnostic coverage 0.0 %  
Functional safety no  
Mission Time 20 a

### General data

Approval/Conformity CE  
CCC  
CSA  
Basic standard IEC 60947-5-1  
Operating principle 1-5. Switch position: mechanical  
Version Snap contact

### Material

Housing material Aluminum  
Material contacts 1-5. Switch position: Fine silver, gold plated  
Plunger material 1-5. Switch position: Stainless steel (1.4034)  
Surface protection anodized

### Mechanical data

Approach direction Vertical to mounting surface  
Approach speed 1-5. Switch position: 120 m/min  
Dimension 116 x 90 x 77 mm  
Distance cam - reference edge 1-5. Switch position: 2.50... 3.00 mm  
Flange, feed-through 1 threaded exit M25  
Installation Vertical  
Life expectancy mechanical 1-5. Switch position: 30 mil. switching operations  
Number of switching positions 5x Roller bearing  
Plunger spacing 1st switch position 50 mm  
Plunger style 1-5. Switch position: Roller bearing  
Switch actuation force 1-5. Switch position: 20 N  
Switching element 1-5. Switch position: BSE 30.0

## BNS 819-B05-L12-72-10 BNS025L

### Range/Distance

Reproducibility	1-5. Switch position: $\pm 0.01$ mm
Switch position spacing	12 mm

Specification of the MTTF value and the B10d value do not represent any binding quality and/or life expectancy guarantees.

Note that the products listed here are not themselves safety components according to the Machine Directive 2006/42/EG Article 2 c. It is however possible to create corresponding structures with a high Performance Level per EN 13849-1 by means of two-channel utilization.

### Wiring Diagram

BSE 30.0

