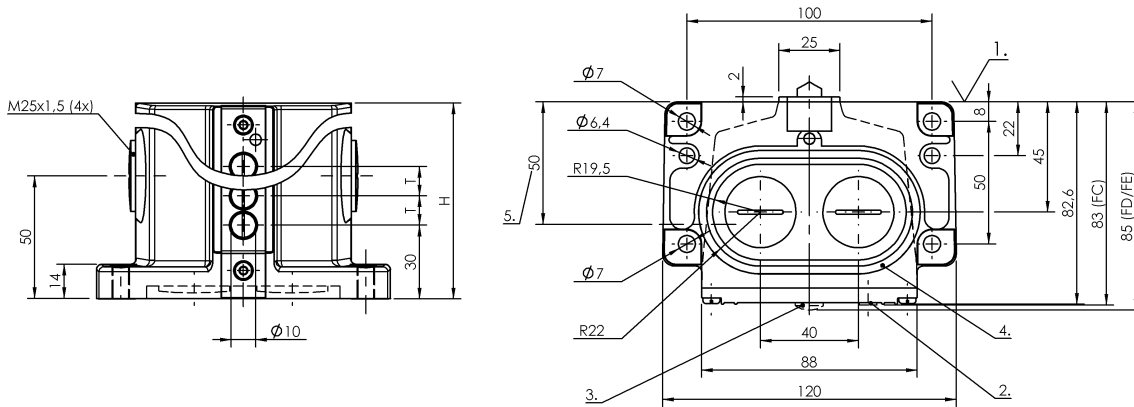


BNS 829-D02-R12-100-10 BNS018Z



1) Reference edge 2) Function indicator FC 3) Function indicator FD/FE/LL 4) Sealing ring 5) Cable passage



Display/Operation

Function indicator 1-2. Switch position: None

Electrical connection

Connection type 1-2. Switch position: Screw terminal

Electrical data

Continuous current 1-2. Switch position: 6 A
 Rated operating voltage U_e 1-2. Switch position: 250 VAC
 Switching function mechanical Dual changeover
 One NO and one NC galvanically isolated
 Switching rate 1-2. Switch position: 300/min

Environmental conditions

Ambient temperature -5...85 °C
 Protection type IEC 60529 IP67

General data

Approval/Conformity CE
 DIN switch DIN 43697
 Operating principle 1-2. Switch position: mechanical
 Version Snap contact

Material

Housing material Aluminum
 Material contacts 1-2. Switch position: Fine silver, gold plated
 Plunger material 1-2. Switch position: Stainless steel (1.4034)
 Surface protection anodized

Mechanical data

Approach direction longitudinal, parallel to attachment surface
 Approach speed 1-2. Switch position: 60 m/min
 Dimension 120 x 70 x 83 mm
 Distance cam - reference edge 1-2. Switch position: 4.50... 5.00 mm
 Flange, feed-through 2 threaded exit M25
 Installation Vertical
 Life expectancy mechanical 1-2. Switch position: 30 mil. switching operations
 Number of switching positions 2x Role
 Plunger spacing 1st switch position 30 mm
 Plunger style 1-2. Switch position: Role
 Switch actuation force 1-2. Switch position: 20 N
 Switching element 1-2. Switch position: BSE 30.0

Range/Distance

Reproducibility 1-2. Switch position: ± 0.01 mm
 Switch position spacing 12 mm