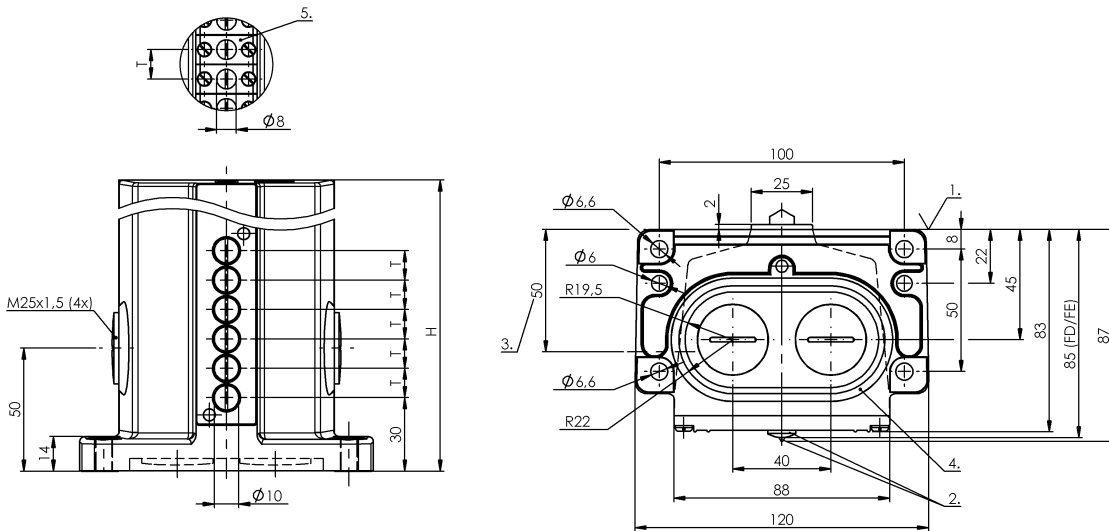


BNS 819-D05-D12-100-10-S90L BNS018E



1) Reference edge 2) Function indicator FD/FE/LL 3) Cable passage 4) Sealing ring 5) Anti-crystallization plunger



Display/Operation

Function indicator 1-5. Switch position: None

Electrical data

Continuous current 1-5. Switch position: 6 A
 Rated operating voltage U_e 1-5. Switch position: 250 VAC
 Switching rate 1-5. Switch position: 300/min

Environmental conditions

Ambient temperature -5...85 °C
 Protection type IEC 60529 IP67

General data

Approval/Conformity CE
 DIN switch DIN 43697
 Operating principle 1-5. Switch position: mechanical
 Version Snap contact

Material

Housing material Aluminum

Material contacts

1-5. Switch position: Fine silver, gold plated

Plunger material

1-5. Switch position: Stainless steel (1.4034)

Surface protection

anodized

Mechanical data

Approach direction

longitudinal, parallel to attachment surface

Approach speed

1-5. Switch position: 40 m/min

Dimension

120 x 105 x 83 mm

Distance cam - reference edge

1-5. Switch position: 4.50... 5.00 mm

Flange, feed-through

2 threaded exit M25

Installation

Vertical

Life expectancy mechanical

1-5. Switch position: 30 mil. switching operations

Number of switching positions

5x Chisel

Plunger spacing 1st switch position

30 mm

Plunger style

1-5. Switch position: Chisel

Switch actuation force

1-5. Switch position: 20 N

Switching element

1-5. Switch position: BSE 30.0

Range/Distance

Reproducibility

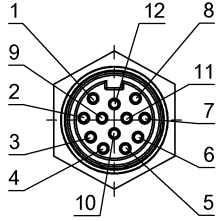
1-5. Switch position: ± 0.002 mm

Switch position spacing

12 mm

BNS 819-D05-D12-100-10-S90L
BNS018E

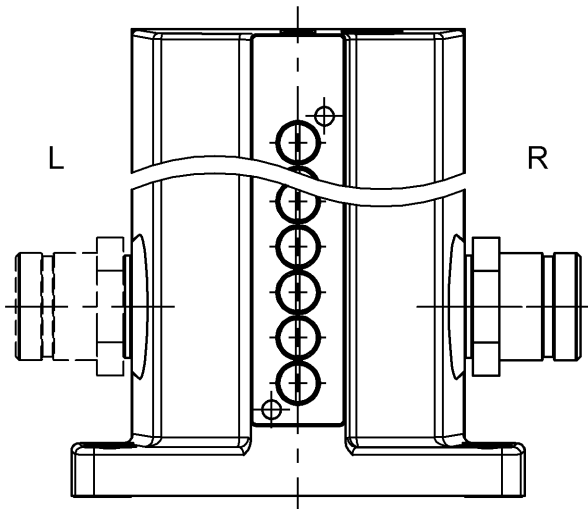
Connector view



View of connector side

BNS 819-D05-D12-100-10-S90L
BNS018E

Wiring Diagram



Stecker R oder L
Connector R or L

Schaltelemente
Switch elements

Stecker
Conne

