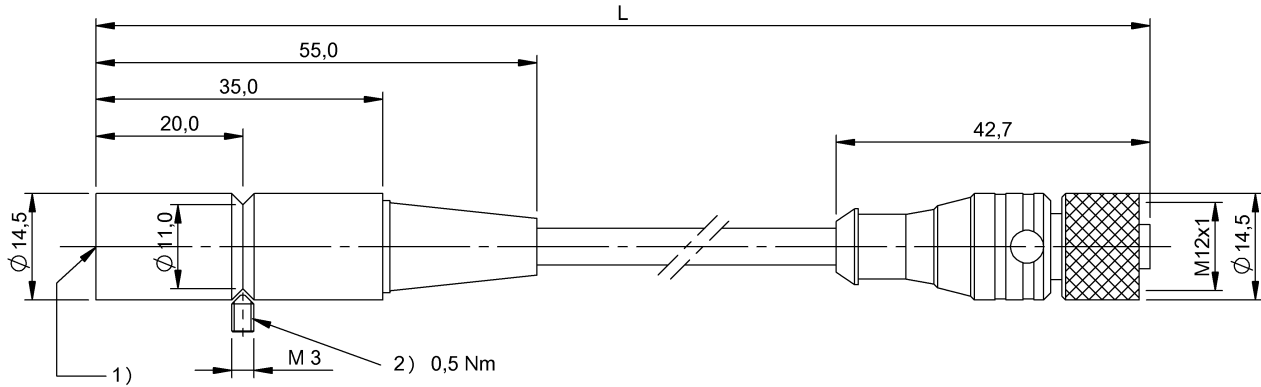


BIS C-300-PU1-10 BIS00P6



1) Sensing surface 2) Tightening torque



Electrical connection

Bending radius min., fixed cable	5 x D
Bending radius min., flexible cable	10 x D
Cable diameter D	5.40 mm
Cable length	10 m, Drag chain compatible
Cable, bending cycles min.	2 million
Connection type	10.00 m, PU

Environmental conditions

Ambient temperature	0...70 °C
Cable temperatur, drag chain	-25...60 °C
Cable temperature, fixed routing	-50...80 °C
EN 60068-2-27, Continuous shock load	yes
EN 60068-2-27, Shock	yes
EN 60068-2-6, Vibration	yes
Protection type IEC 60529	IP67
Storage temperature	-20...85 °C

Functional safety

EN 60068-2-32 Free fall	yes
-------------------------	-----

General data

Antenna type	round
Approval/Conformity	CE UL-FILE E227256, Vol.X1, BIS EN 55011
	Size 1, Cl. A

Material

Housing material	Brass
Housing material, surface protection	nickel plates
Material jacket	PU

Mechanical data

Application weight	210.00 g
Dimension	Ø 14.5 x 35 mm
Installation	for flush mounting (in steel)

Remarks

Values are under rated conditions unless otherwise specified.
Only together with converter BIS C-901 or BIS C-6xx
ATTENTION: 10m cable length reduces the read/write distance by 10 %

Additional View

BIS C-300-___

Eigenschaften		BIS C-300-___												
Transmitter	Receiver	C-100-05/A	C-103-05/A	C-105-05/A	C-121-04/L	C-121-04/L-SA1	C-122-04/L	C-130-05/L	C-134-___/L	C-130-05/L	C-130-05/L-SA1	C-130-05/L-SA5	C-191-___/L	C-141-11/L
Medium	Medium	bündig / flush		bündig / flush	bündig / flush	bündig / flush	bündig / flush	bündig / flush	bündig / flush	nicht bündig / non-flush	nicht bündig / non-flush	nicht bündig / non-flush	nicht bündig / non-flush	nicht bündig / non-flush
Emission	Emission	bündig / flush		bündig / flush	bündig / flush	bündig / flush	bündig / flush	bündig / flush	bündig / flush	nicht bündig / non-flush	nicht bündig / non-flush	nicht bündig / non-flush	nicht bündig / non-flush	nicht bündig / non-flush
0,7		0-4	0-3,5	0-3,5	0-2	0-1,2	0-2,5	0-4	0-3	0-4	0-4	0-3	0-3,5	0-3,5
1	±3	0-4	0-3,5	0-3,5	0-2	0-1,2	0-2,5	0-4	0-3	0-4	0-4	0-3	0-3,5	0-3,5
2	±3	0-4	0-3,5	0-3,5	0-2	±2	±2,5	±3,5	±4	±5	±5	±3,5	±4	±3
3	±2	0-4	0-3,5	0-3,5				±3		±4	±4	±2	±3	±1,5
4														
5														
6														
7														
10														
15														
20														
35														
42														
60														

BIS C-300-PU1-10
BIS00P6

BALLUFF