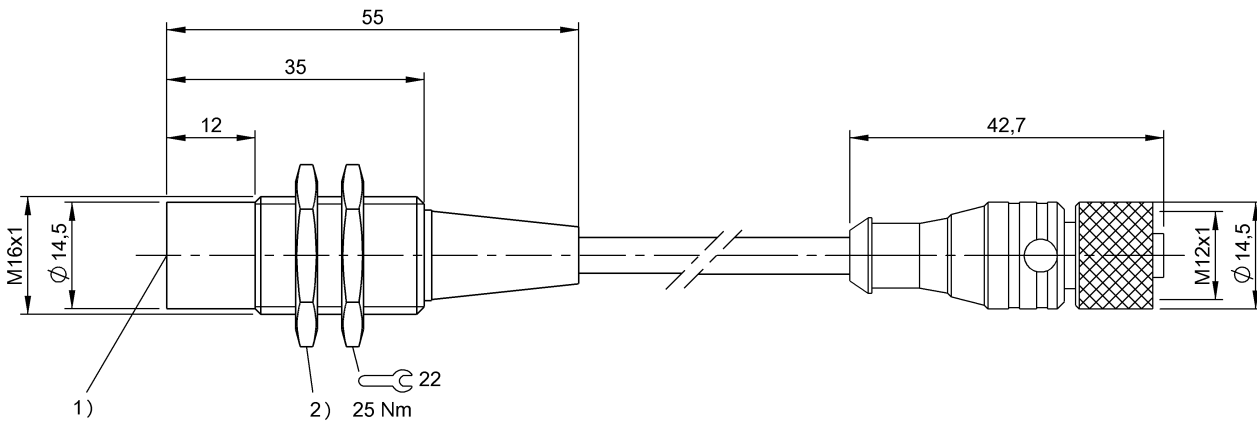


BIS C-306-PU1-05 BIS006F



1) Sensing surface 2) Tightening torque



Electrical connection

Bending radius min., fixed cable	5 x D
Bending radius min., flexible cable	10 x D
Cable diameter D	5.40 mm
Cable length	5 m, Drag chain compatible
Cable, bending cycles min.	2 million
Connection type	5.00 m, PU

Electrical data

MTTF (40 °C)	15080 a
--------------	---------

Environmental conditions

Ambient temperature	0...70 °C
Cable temperatur, drag chain	-25...60 °C
Cable temperature, fixed routing	-50...80 °C
EN 60068-2-27, Continuous shock load	yes
EN 60068-2-27, Shock	yes
EN 60068-2-6, Vibration	yes
Protection type IEC 60529	IP67
Storage temperature	-20...85 °C

Functional safety

Diagnostic coverage	0 %
EN 60068-2-32 Free fall	yes
Functional safety	no
Mission Time	20 a

General data

Antenna type	round
Approval/Conformity	CE UL-FILE E227256, Vol.X1, BIS EN 55011
	Size 1, Cl. A

Material

Housing material	Brass
Housing material, surface protection	nickel plates
Material jacket	PU

Mechanical data

Application weight	200.00 g
Dimension	Ø 16 x 35 mm
Installation	for flush mounting (in steel)
Size	M16x1

Remarks

Only together with converter BIS C-901 or BIS C-6xx
Specified relative speed refers to reading/writing the first 4 bytes from the first page.
Values are under rated conditions unless otherwise specified.
Time specification includes data check.

For further information on MTTF/B10d, please refer to the MTTF / B10d Certificate.

Specification of the MTTF value and the B10d value do not represent any binding quality and/or life expectancy guarantees.

BIS C-306-PU1-05
BIS006F

Additional View

BIS C-306-PU1-05
BIS006F

BIS C-306-__

	C-100-05/A	C-103-05/A	C-105-05/A	C-121-04/L	C-121-04/L-SA1	C-122-04/L	C-130-05/L	C-134-__/L	C-130-05/L	C-130-05/L-SA1	C-130-05/L-SA6	C-191-__/L	C-141-11/L
passende Datenträger Appropriate data carriers	bündig / flush	bündig / flush	bündig / flush	bündig / flush	bündig / flush	bündig / flush	bündig / flush	bündig / flush	nicht bündig / non-flush	nicht bündig / non-flush	nicht bündig / non-flush	nicht bündig / non-flush	nicht bündig / non-flush
statischer Betrieb													
Static mode													
Schreibabstand in mm Write distance in mm	0.4	0.3,5	0.3,5	0.2	0.1,2	0.2,5	0.4	0.3	0.4	0.4	0.3	0.3,5	0.3-5
Leseabstand in mm Read distance in mm	0.4	0.3,5	0.3,5	0.2	0.1,2	0.2,5	0.4	0.3	0.4	0.4	0.3	0.3,5	0.3-5
Versatz in mm bei Abstand von Offset in mm at distance	0,7	±3	±3	±2	±2	±2,5	±3,5	±4	±5	±5	±3,5	±4	±3
	1	±2	±2										±3
	2												±3
	3												±1,5
	4												
	5												
	6												
	7												
	10												
	15												
	20												
	36												
	42												
	60												

BIS C-306-PU1-05
BIS006F

BIS C-306-__

passende Datenträger Appropriate data carriers	C-141-11/L büding / flush
statischer Betrieb	
Static mode	
Schreibabstand in mm Write distance in mm	0-3
Leseabstand in mm Read distance in mm	0-3
Versatz in mm bei Abstand von	0,7 1 ±2,5 2 ±2,5 3 ±1,5 4 5 6 7
Offset in mm at distance	10 15 20 36 42 60