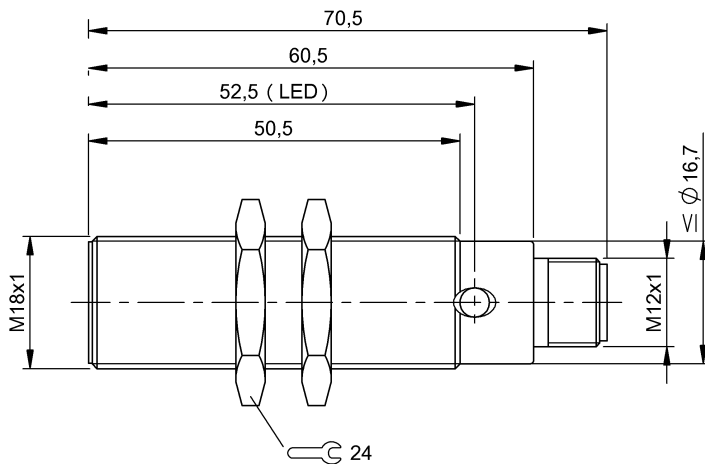


## BES 516-211-E5-E-S27 BES028R



### Display/Operation

Function indicator	yes
Power indicator	no

### Electrical connection

Connection	M12x1-Connector
Polarity reversal protected	yes
Short-circuit protection	yes

### Electrical data

Hysteresis H max. (% of Sr)	15.0 %
MTTF (40 °C)	245 a
Operating voltage $U_b$	20...250 VDC/20...250 VAC
Pollution degree	3
Protected against miswiring	no
Rated insulation voltage $U_i$	250 V AC
Rated operating current $I_e$ DC	250 mA
Rated operating voltage $U_e$ AC	110 V
Rated short circuit current	100 A
Ready delay $t_v$ max.	10 ms
Repeat accuracy max. (% of Sr)	5.0 %
Residual current $I_r$ max.	1700 $\mu$ A
Switching frequency	400 Hz
Utilization category	AC-140 DC -13
Voltage drop static max.	11 V

### Environmental conditions

Ambient temperature	-25...70 °C
Protection class	I
Protection type IEC 60529	IP67

### Functional safety

Diagnostic coverage	0 %
Functional safety	no
Mission Time	20 a

### General data

Approval/Conformity	cULus CE EAC
Basic standard	IEC 60947-5-2

### Material

Housing material	Brass
Material sensing surface	PA 12
Surface protection	nickel plates

### Mechanical data

Dimension	$\varnothing$ 18 x 70.5 mm
Installation	for flush mounting
Size	M18x1
Tightening torque	35 Nm

### Range/Distance

Assured operating distance $S_a$	4 mm
Range	5 mm
Rated operating distance $S_n$	5 mm
Temperature drift max. (% of Sr)	10 %

## BES 516-211-E5-E-S27 BES028R

### Remarks

With connector, e.g. BKS-S 28-... total length = switch length +20 mm.  
 $T_a \geq 25\text{ °C} \dots \leq 70\text{ °C}$ :  $l_e = 250 - 2.2x(T_a - 25)$   
Flashing LED indicates overload. Once the overload has been eliminated, interrupt operating voltage  $V_s$  for approx. 2 sec.

For further information on MTTF/B10d, please refer to the MTTF / B10d Certificate.

Specification of the MTTF value and the B10d value do not represent any binding quality and/or life expectancy guarantees.

### Connector view



### Wiring Diagram

