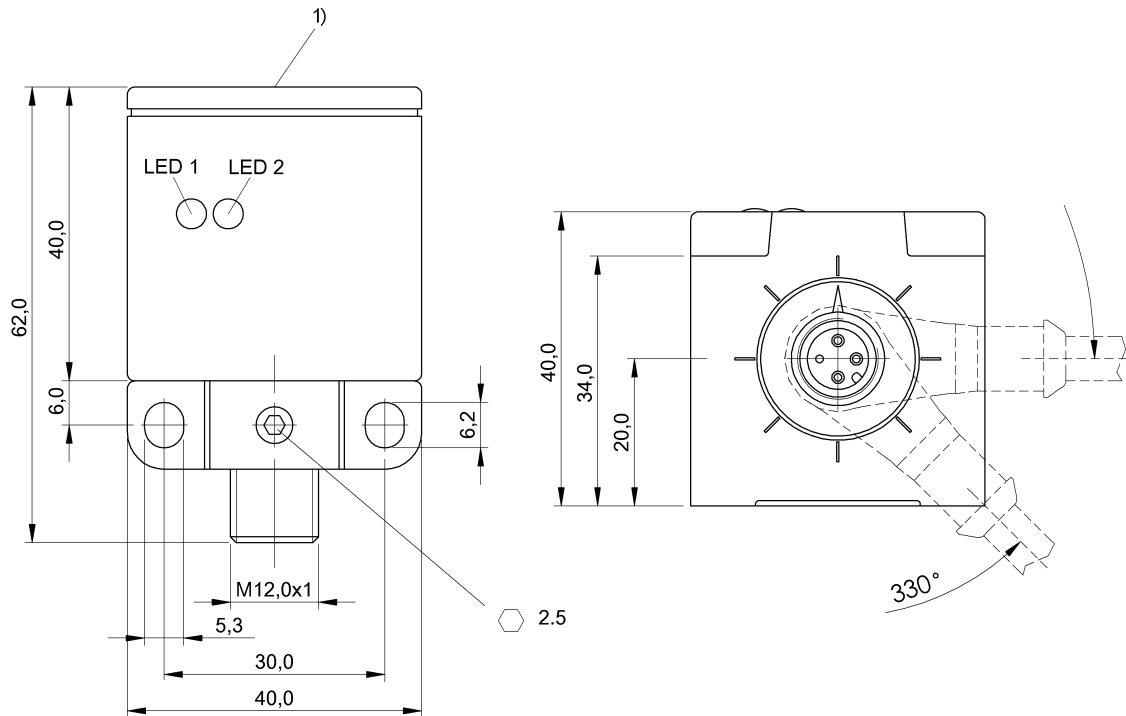


BES Q40KFU-PAC20B-S04G-004  
BES0218



1) Sensing surface



## Display/Operation

Function indicator	yes
Power indicator	yes

## Electrical connection

Connection	M12x1-Connector, 4-pole, A-coded
Polarity reversal protected	yes
Short-circuit protection	yes

## Electrical data

Hysteresis H max. (% of Sr)	15.0 %
Load capacitance max. at Ue	1 µF
MTTF (40 °C)	455 a
No-load current I <sub>o</sub> max., undamped	15 mA
Operating voltage U <sub>b</sub>	10...55 VDC
Output resistance R <sub>a</sub>	33.0 kOhm + D
Pollution degree	3
Protected against miswiring	yes
Rated insulation voltage U <sub>i</sub>	250 V AC
Rated operating current I <sub>e</sub> DC	200 mA

Rated operating voltage U <sub>e</sub> DC	24 V
Rated short circuit current	100 A
Ready delay t <sub>v</sub> max.	30 ms
Repeat accuracy max. (% of Sr)	5.0 %
Residual current I <sub>r</sub> max.	80 µA
Switching frequency	50 Hz
Utilization category	DC -13
Voltage drop static max.	2.5 V

## Environmental conditions

Ambient temperature	-25...70 °C
Protection class	II
Protection type IEC 60529	IP67

## Functional safety

Diagnostic coverage	0 %
Functional safety	no
Mission Time	20 a

## General data

Approval/Conformity	CE EAC
---------------------	-----------

## BES Q40KFU-PAC20B-S04G-004 BES0218

Basic standard IEC 60947-5-2

### Material

Housing material PBT  
Material sensing surface PBT

### Mechanical data

Dimension 40 x 40 x 62 mm  
Installation for flush mounting  
Tightening torque 40 Nm

### Output/Interface

Switching output PNP Normally open/Normally closed (NO/NC)

### Range/Distance

Assured operating distance Sa	16 mm
Range	20 mm
Rated operating distance Sn	20 mm
Ripple max. (% of Ue)	15 %
Temperature drift max. (% of Sr)	10 %

### Remarks

LED 1: Function  
LED 2: Operating voltage  
The sensor is functional again after the overload has been eliminated.  
For further information on MTTF/B10d, please refer to the MTTF / B10d Certificate.

Specification of the MTTF value and the B10d value do not represent any binding quality and/or life expectancy guarantees.

### Connector view



### Wiring Diagram

