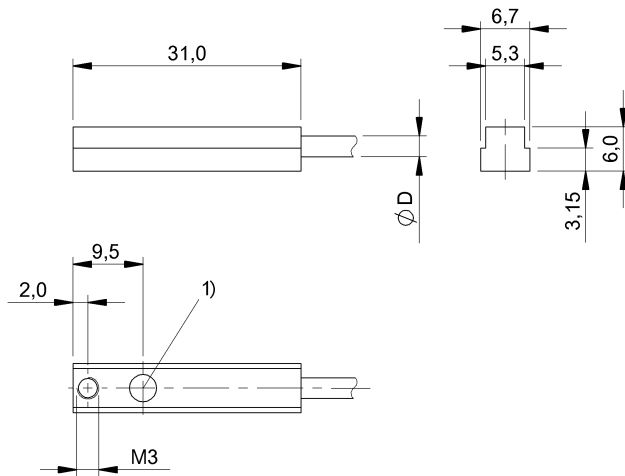


BES P01KC-PSC10B-EV03 BES01R5



IND. CONT. EQ
81U2
US for use in the secondary of
a class 2 source of supply
Environmental - Type 1 Enclosure



Display/Operation

Power indicator	no
-----------------	----

Electrical connection

Cable diameter D	3.00 mm
Cable length	3 m
Conductor cross-section	0.14 mm ²
Connection type	Cable, 3.00 m, PVC
Number of conductors	3
Polarity reversal protected	yes
Short-circuit protection	yes

Electrical data

Hysteresis H max. (% of Sr)	15.0 %
Load capacitance max. at Ue	0.2 µF
MTTF (40 °C)	830 a
No-load current I _o max., undamped	3 mA
Operating voltage U _b	10...30 VDC
Output resistance R _a	Open collector
Pollution degree	3
Protected against miswiring	yes
Rated insulation voltage U _i	75 V DC
Rated operating current I _e DC	100 mA
Rated operating voltage U _e DC	24 V
Rated short circuit current	100 A
Ready delay t _v max.	10 ms
Repeat accuracy max. (% of Sr)	5.0 %
Residual current I _r max.	80 µA
Switching frequency	3000 Hz
Voltage drop static max.	3 V

Environmental conditions

Ambient temperature	-25...70 °C
Protection type IEC 60529	IP68

Functional safety

Diagnostic coverage	0 %
Functional safety	no
Mission Time	20 a

General data

Approval/Conformity	cULus CE EAC
Basic standard	IEC 60947-5-2

Material

Housing material	PA, PA 6.6
Material jacket	PVC
Material sensing surface	PBT, Green

Mechanical data

Dimension	31 x 5.3 x 6 mm
Installation	for flush mounting

Output/Interface

Switching output	PNP Normally open (NO)
------------------	------------------------

BES P01KC-PSC10B-EV03 BES01R5

Range/Distance

Assured operating distance Sa	0.80 mm/0.7 mm
Range	1 mm
Rated operating distance Sn	1 mm
Ripple max. (% of Ue)	10 %
Temperature drift max. (% of Sr)	10 %

Remarks

EMC: EMC protection circuit required, see 825345. IVW: 2.2
The sensor is functional again after the overload has been eliminated.

For further information on MTTF/B10d, please refer to the MTTF / B10d Certificate.

Specification of the MTTF value and the B10d value do not represent any binding quality and/or life expectancy guarantees.

Wiring Diagram

